



WPTC-23-01E



Product Selection Guide



 **YouTube**
Scan us for more details
www.wipcool.com



Table Of Contents

Condensate Management **P009-046**

Mini Pumps **P013-020**

Tank Pumps **P023-032**

Supermarket Pumps **P035-038**

Atomization Pump & Accessories **P039-046**

HVAC Maintenance **P047-084**

Coil Cleaning Machine
(Medium Pressure) **P051-056**

Coil Cleaning Machine
(High Pressure) **P057-064**

Steam Cleaning Machine
& Cleaning Cover **P065-068**

Tube Cleaning Machine **P069-072**

Electric Sprayer **P073-076**

Refrigeration Compressor
Oil Charging Pump **P079-084**

HVAC/R Tools & Equipments **P085-126**

Recovery Machine **P089-090**

Vacuum Pumps **P091-100**

Refrigeration Tools **P103-108**

Tubing Tools **P111-116**

HVAC/R Testing &
Measuring Equipment **P119-126**

About WIPCOOL

WIPCOOL was established in 2011 in Zhejiang, China. Since its establishment, WIPCOOL has been committed to providing one-stop solutions for installation, maintenance tools & equipment for technicians in the air conditioning and refrigeration industry, adhering to the mission of "Always adhere to creating differentiated and ideal HVAC products". Through continuous technological innovation and change, it promotes the overall development of the industry and saves resources for society.

Over more than ten years of continuous development and technological precipitation, WIPCOOL has been a leader in the condensate pumps in worldwide, and the company has gradually formed three major business units: Condensate management, HVAC system maintenance, and HVAC/R tools and equipment, providing high-quality, innovative, and advanced products to global channel users.

WIPCOOL will adhere to the "IDEAL PRODUCTS FOR HVAC" focus strategy from a future perspective, establish comprehensive sales channels and service networks worldwide, and provide the best products and solutions for users in the global air conditioning and refrigeration industry.

Factory Scene

Condensate Management

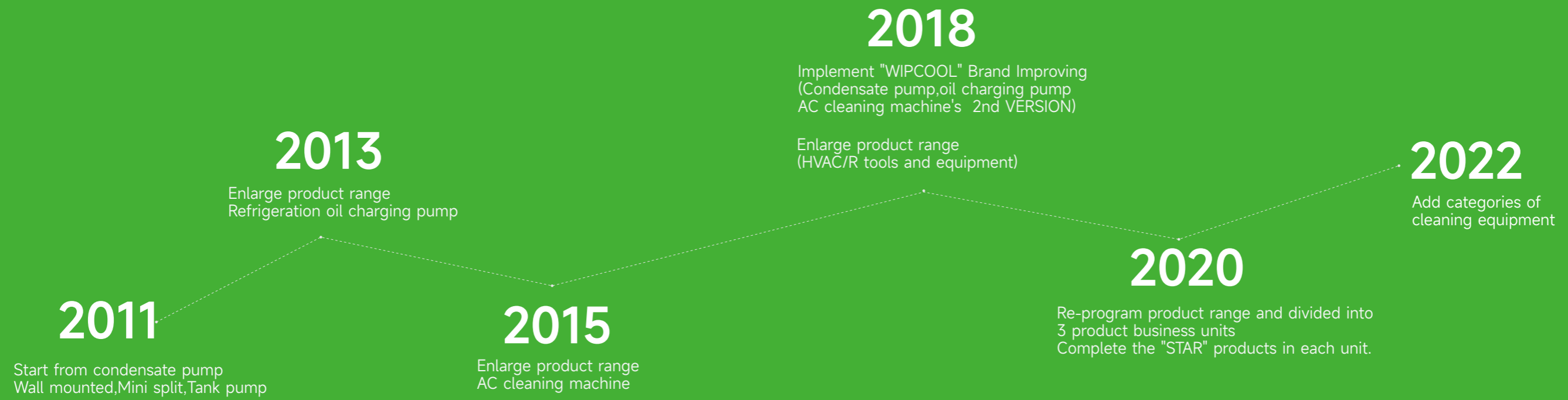


HVAC Maintenance



HVAC/R Tools & Equipments





Company Culture

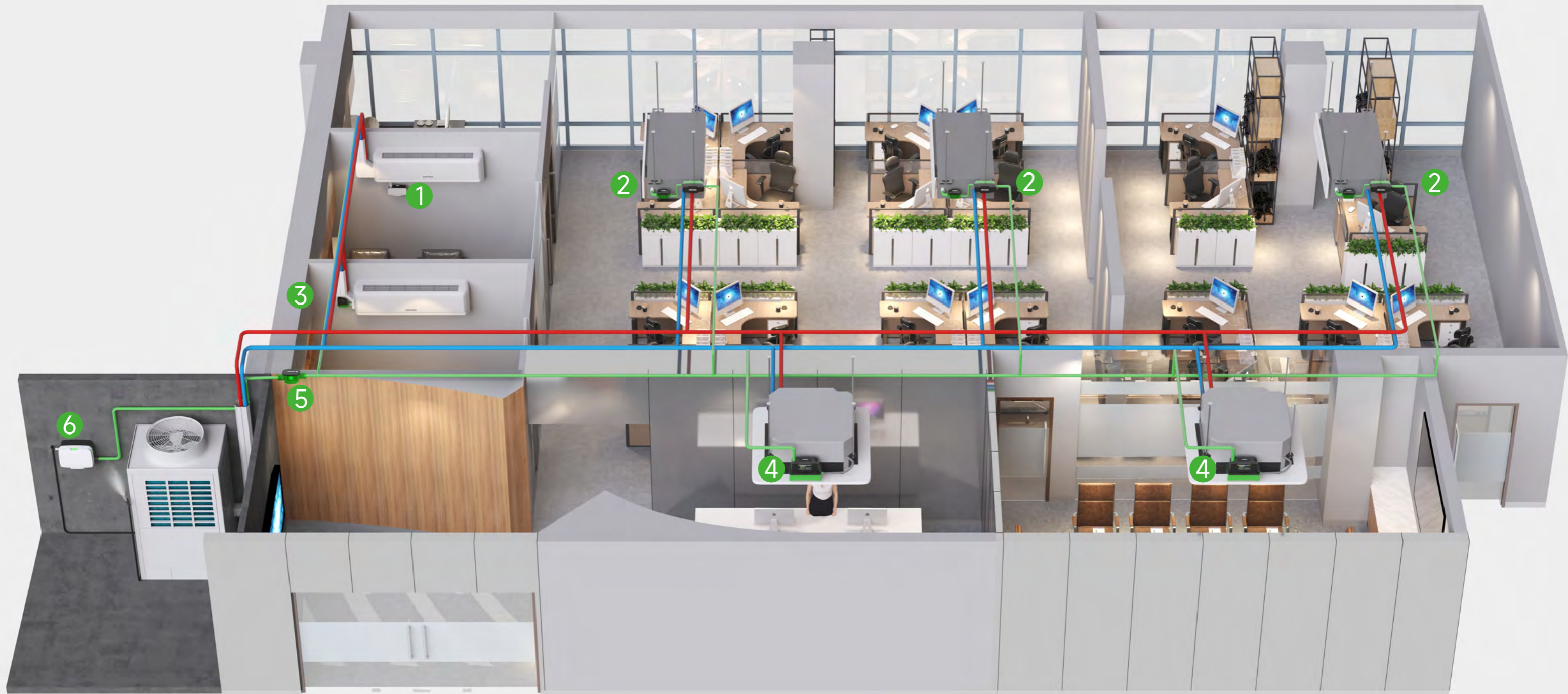
Vision / Becoming the preferred brand in the HVAC/R service industry

Mission / Always adhere to creating differentiated and ideal HVAC products

Values / Customer first, teamwork, integrity, dedication and passion



WIPCOOL



Condensate Management

The condensate pumps is the earliest business segment involved by WIPCOOL and also one of the most well-known products in the market. Specially designed to solve the problem of your air conditioning and refrigeration equipment being unable to discharge condensate water through gravity, the product covers mini pumps in various installation positions, tank pumps of different lifts and flow rates, and supermarket pumps match different sizes of refrigerated cabinets. Whether it is household, commercial, or industrial equipment, WIPCOOL can provide a complete set of products that solve condensate discharge.

With the continuous in-depth research on the condensation discharge of air conditioners & refrigeration equipments by WIPCOOL, products such as floating-ball condensate trap installed on the condensate water pipes, external liquid level controllers with drainage pump safety switches, and atomization pumps that utilize condensate waste to improve the heat exchange efficiency of refrigeration equipments have been gradually developed.

Application Introduction

- 1 Wall-mounted Condensate Pump
- 2 Mini-split Condensate Pump
- 3 Corner Condensate Pump
- 4 Tank Pump
- 5 Condensate Trap
- 6 Condensate Atomization Pump

Mini Pump Series

WIPCOOL offer the most complete and high performance range of mini pumps in worldwide. Widely applied for split, ducted-type and cassette-type air conditioning units, as well as other appliances that produce small amounts of condensate.

Equipped by brush-less motor, safety switch, probe sensor which maintain pump's high performance, ensure the pumps operate silent, durable with long service life.



Wall-Mounted
Condensate Pump



Mini
Condensate Pump

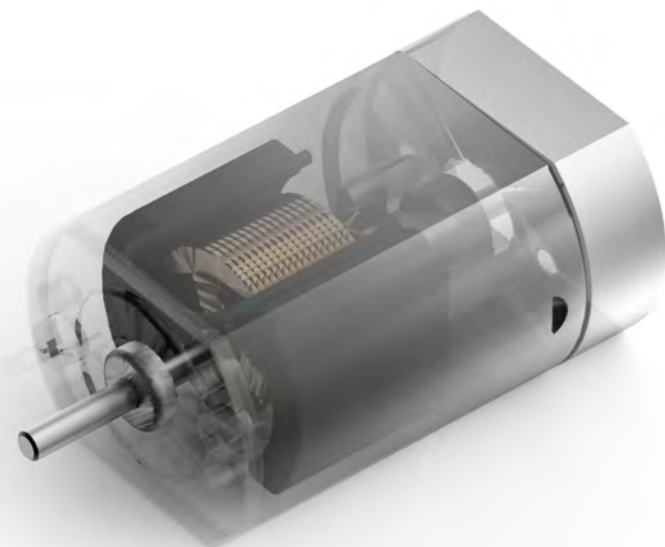


Slim
Condensate Pump



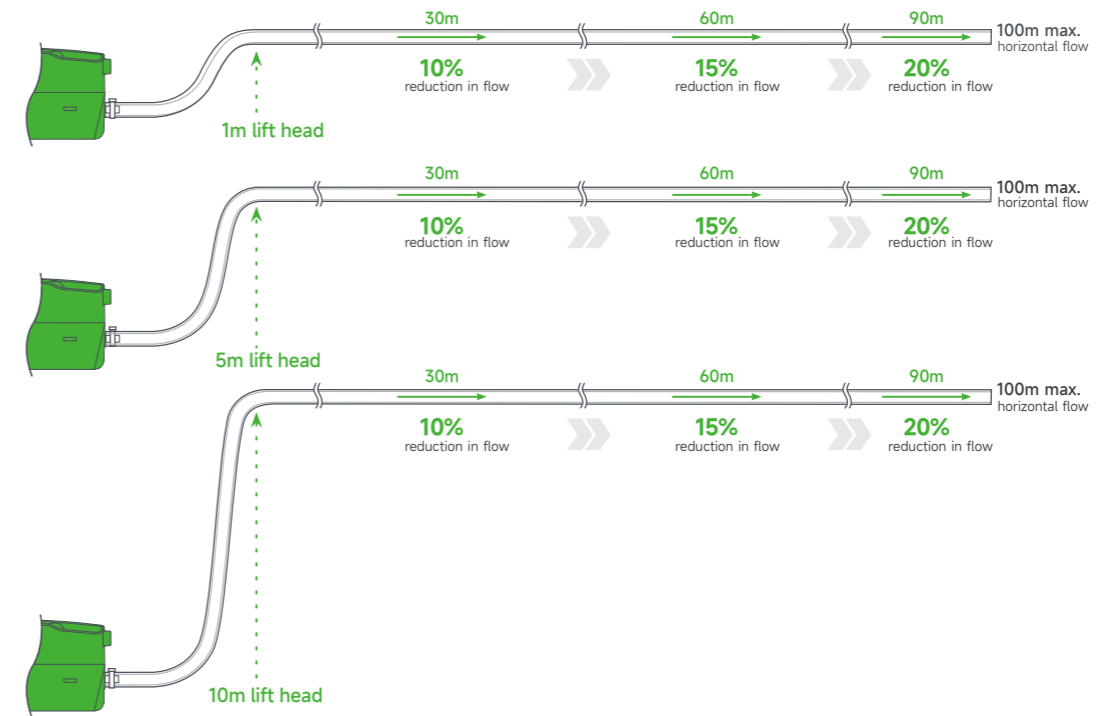
Corner
Condensate Pump

Why Choose WIPCOOL Mini Pumps?



- Compact & powerful
- Quiet & reliable
- Innovation driven
- Easy Maintenance

Discharge Pipe Run Performance



Mini Pump Series Selection Guide

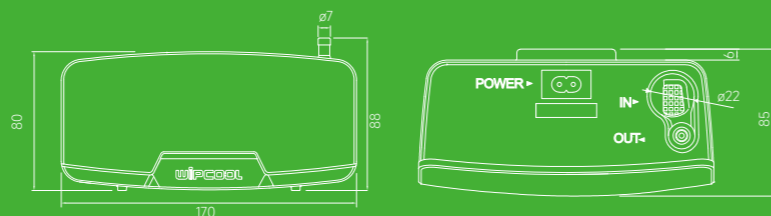
Model	Max. unit output	Applicable A/C	Applicable place	Discharge head(Max)
P18	30,000Btu/h	Split unit, Floor mounted unit	Smaller commercial and domestic units in quiet environments	10m
P36	45,000Btu/h			
P16	30,000Btu/h	Ducted units; Floor standing & Chassis units; High wall split systems		7m
P32	45,000Btu/h			
P12	30,000Btu/h			
P12C	30,000Btu/h			

REMARKS:

Cooling capacity conversion
 1Btu/h=0.2931W, 1W=3.412Btu/h
 1USRT=3.517kW, 1kW=0.28434USRT



P18/36 Wall-mounted Condensate Pump



P18/36 Wall-mounted Condensate Pump

Dual Guarantee, High Security



High performance brushless motor, strong power



Dual sensor control system, improve durability



Level gauge installed, ensure the accurate installation



Built-in LED provide visual operating feedback



Product Description

The P18/36 condensate pump is directly installed below the wall-mounted air conditioner. And it is suitable for device which cooling capacity under 45,000 btu/hr.

Adopting a brush-less motor and dual control sensor system, ensuring that the product can operate without obstacles and noise for a long time.

Easy installation and easy access to maintenance making P18/36 be a star product in the WIPCOOL Mini Pumps.

Max flow
36L/h

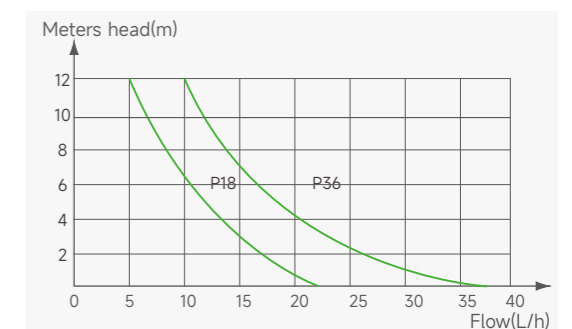
Max rec. head
10m

Sound level
21dB(A)

Technical Data

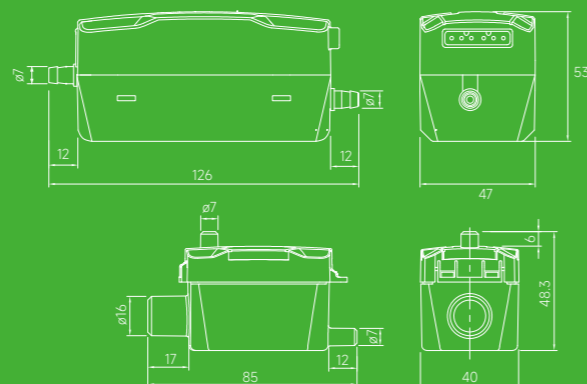
Model	P18	P36
Voltage	100V-230V~/50-60Hz	
Discharge Head(Max.)	10m(33ft)	
Flow Rate(Max.)	18L/h(4.8GPH)	36L/h(9.6GPH)
Tank Capacity	150ml	
Mini Splits up to	30,000btu/hr	45,000btu/hr
Sound Level at 1m	19dB(A)	21dB(A)
Ambient Temp.	0°C-50°C	

Flow Rate





P16/32 Mini Condensate Pump



P16/32 Mini-split Condensate Pump

Silent Running, Reliable & Durable



Super quiet design, unequalled operating sound level.



Built-in safety switch, avoid the overflow when drainage failure.



Exquisite&compact design, suitable for different spaces.



Built-in LED provide visual operating feedback.



Product Description

The P16/32 mini split condensate pump is most popular in WIPCOOL mini pumps. Widely used in ducted air conditioner, suitable for device which cooling capacity under 45,000btu/hr.

Adopting a brush-less motor and built-in safety switch, ensuring that the pump can operate silently for a long time and guarantee the safety drainage.

Max flow
32L/h

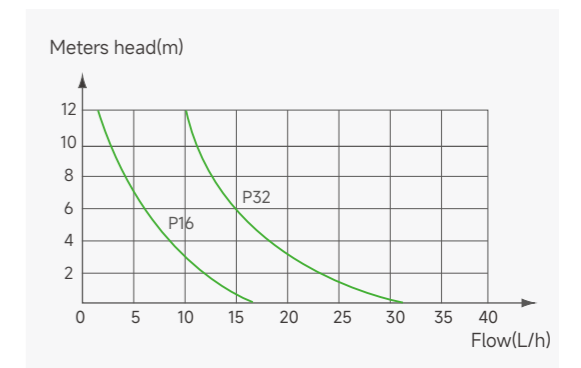
Max rec. head
10m

Sound level
21dB(A)

Technical Data

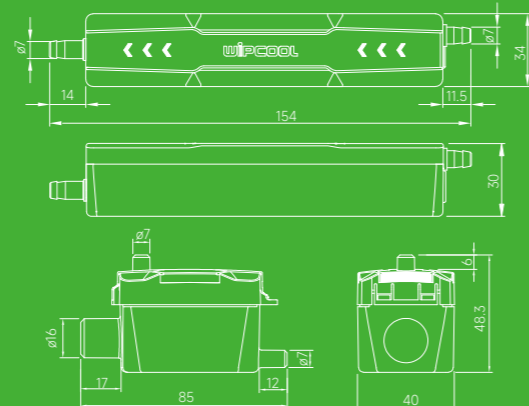
Model	P16	P32
Voltage	100V-230V~/50-60Hz	
Suction lift(Max.)	2m(6.5ft)	
Discharge Head(Max.)	10m(33ft)	
Flow Rate(Max.)	16L/h(4.2GPH)	32L/h(8.5GPH)
Tank Capacity	35ml	
Mini Splits up to	30,000btu/hr	45,000btu/hr
Sound Level at 1m	19dB(A)	21dB(A)
Ambient Temp.	0°C-50°C	

Flow Rate





P12 Slim Condensate Pump



P12 Slim Condensate Pump

Slim and Flexible, Silent & Durable



Slimmest body design, flexible installation.



Built-in safety switch, avoid the overflow when drainage failure.



Unique motor balance technology, reduce vibration.





Product Description

The P12 condensate pump adopts slim body design, it is the WIPCOOL's slimmest mini pump. Specially design for narrow spaces, it is mainly installed in back interior of split air conditioners. It also can be applied in ducted air conditioner, cassette air conditioner. Suitable for the device which cooling capacity under 30,000 btu/hr.

Built-in safety switch and applied unique motor balance technology, ensuring that the pump can operate silently for a long time and guarantee the safety drainage.

 Max Flow
12L/h

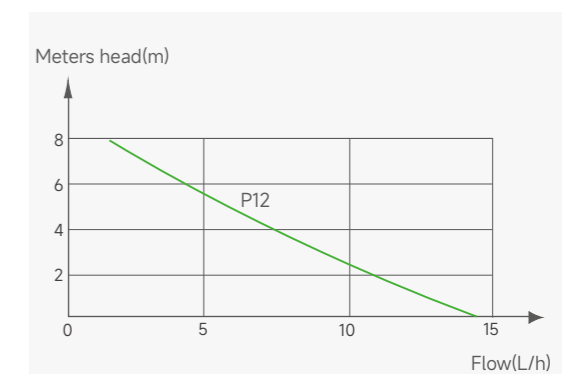
 Max rec. head
7m

 Sound level
19dB(A)

Technical Data :

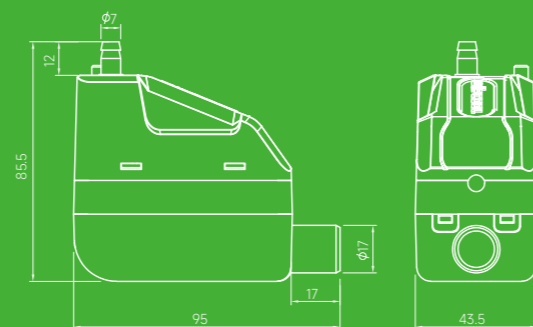
Model	P12
Voltage	100V-230V~/ 50-60Hz
Suction Lift(Max.)	2m(6.5ft)
Discharge Head(Max.)	7m(23ft)
Flow Rate(Max.)	12L/h(3.2GPH)
Tank Capacity	35 ml
Mini Splits up to	30,000btu/hr
Sound Level at 1m	19dB(A)
Ambient Temp.	0°C-50°C

Flow Rate





P12C Corner Condensate Pump



P12C Corner Condensate Pump

Reliable & durable, Silence Running



Integral design, suit for left or right install.



Perfect sit in trunking elbow, easy installation.



Unique motor balance technology, quiet and no vibration.



Product Description

The P12C corner condensate pump applied the integrated design and can be perfectly installed in the left and right trunking elbow. It is mainly used for domestic split air conditioners. Suitable for the device which cooling capacity under 30,000 btu/hr.

Built-in safety switch and applied unique motor balance technology, ensuring that the pump can operate silently for a long time and guarantee the safety drainage.

Max flow
12L/h

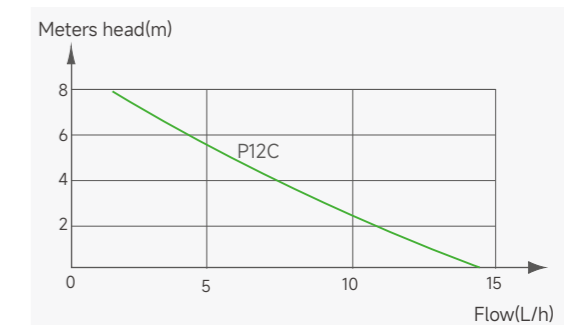
Max rec. head
7m

Sound level
19dB(A)

Technical Data

Model	P12C
Voltage	100V-230V~/ 50-60Hz
Discharge Head(Max.)	7m(23ft)
Flow Rate(Max.)	12L/h(3.2GPH)
Tank Capacity	45 ml
Mini Splits up to	30,000btu/hr
Sound Level at 1m	19dB(A)
Ambient Temp.	0°C-50°C

Flow Rate



Tank Pumps Series

WIPCOOL focus on innovation and has created a market leading range of tank pumps, which covered from 5 lift levels and flow rates ([10m,40L/h], [3.5m, 110L/h], [4.5m,180L/h], [6.8m,380L/h], [12m,580L/h]), designed to suit a diverse array of applications.

Easy to install and maintain, with features including easy clean tank, plug & play, twist & click non-returnvalve and built in spirit level. With reliability as the key decision criteria, the tank pumps are designed to perform even under the most challenging of applications.



Why Choose WIPCOOL Tank Pumps?



- Easy installation
- Durable running
- High performance
- Industry leading

Tank Pump Series Selection Guide

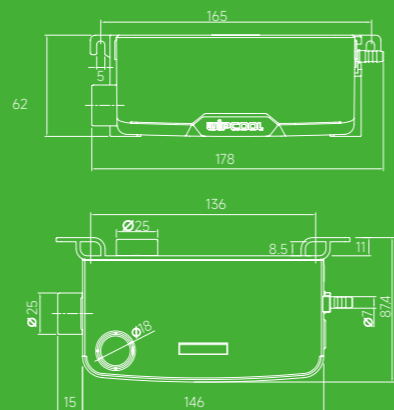
Model	Max. unit output	Applicable A/C	Applicable place	Discharge head(Max)
P40	45,000Btu/h	Split unit; Cassette unit; Ducted unit; Floor mounted unit	Commercial and domestic units in quiet environments	10m
P110	150,000Btu/h			3.5m
P180	300,000Btu/h	Floor mounted unit; Dehumidifiers; Ice makers; Air handling units (AHUs)	Large commercial units	4.5m
P380	500,000Btu/h			6.8m
P580	500,000Btu/h			12m

Remarks:

Cooling capacity conversion
1Btu/h=0.2931W,1W=3.412Btu/h
1USRT=3.517kW,1kW=0.28434USRT



P40 Multi-application Mini Tank Condensate Pump



P40 Multi-application Mini Tank Condensate Pump

Reliable Operation, Easy Maintenance



Floatless structure, free maintenance for long time working.



High performance brushless motor, strong power



Built-in safety switch, avoid the overflow when drainage failure.



Anti-backflow design, improve the safety drainage



Product Description

Mini tank condensate pump P40 is designed for the multi applications, it has 4 ways for the installation, it can be wall mounted, floor mounted, in-pan or suspended on M8 / M10 rod. Suitable for the device which cooling capacity under 45,000 btu/hr.

P40 inherits the benefits of WIPCOOL mini pumps with high lift & silent running. Adopting the brush-less motor, built-in safety switch and probe level sensor, which can be last for long time reliable and silent working.

Max flow
40L/h

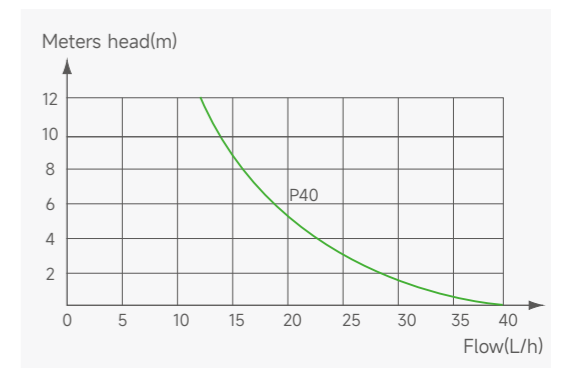
Sound level
21dB(A)

Max rec. head
10m

Technical Data

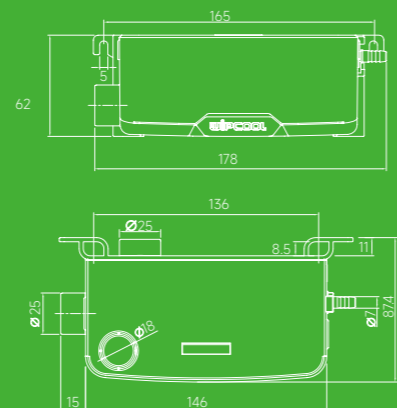
Model	P40
Voltage	100-230V~/50-60Hz
Discharge Head(Max.)	10m(33ft)
Flow Rate(Max.)	40L/h(10.5GPH)
Tank Capacity	200ml
Sound Level at 1m	21dB(A)
IP Protection	IP65
Ambient Temp.	0°C-50°C
Power Consumption	3W

Flow Rate





P110 Resistant Dirty Mini Tank Condensate Pump



P110 Resistant Dirty Mini Tank Condensate Pump

Reliable Operation, Easy Maintenance



Floatless structure, free maintenance for long time working.



Dirt resistant centrifugal pump, longer time for free maintenance.



Forced air cooling motor, ensure stable running.



Anti-backflow design, improve the safety drainage.



Product Description

Mini tank condensate pump P110 adopts a dirt resistant centrifugal pump, which is special designed for these poor air environment. It has 4 ways for the installation, wall mounted, floor mounted, in-pan or suspended on M8 / M10 rod. Suitable for the device which cooling capacity under 150,000 btu/hr.

In addition, P110 has a 25mm outlet for more choice, which can be connected directly with 25mm condensate pipe, so it will be very convenient for installation. High power centrifugal pump, built-in safety switch and probe level sensor, which can be last for long time reliable and silent working.

Max flow
110L/h

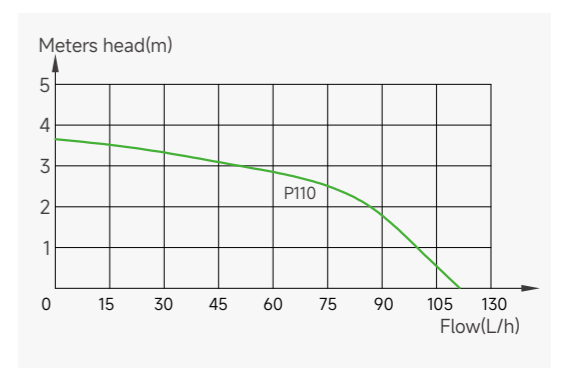
Sound level
25dB(A)

Max rec. head
3.5m

Technical Data

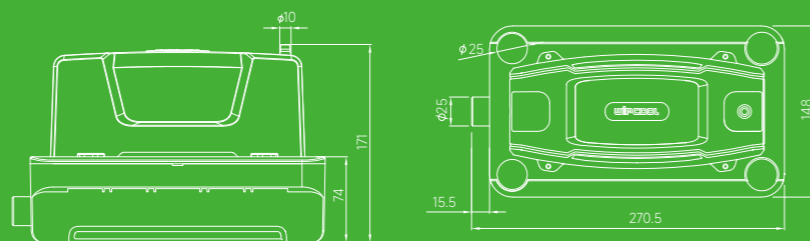
Model	P110
Voltage	100-230V~/50-60Hz
Discharge Head(Max.)	3.5m(12ft)
Flow Rate(Max.)	110L/h(29GPH)
Tank Capacity	200ml
Sound Level at 1m	25dB(A)
IP Protection	IP65
Ambient Temp.	0°C-50°C
Power Consumption	10W

Flow Rate





P180 Tank Condensate Pump



P180 General Tank Condensate Pump

Reliable Operation, Easy Maintenance



Floatless structure, free maintenance for long time working.



Automatic reset thermal protection, prolong service life.



Forced air cooling motor, ensure stable running.



Anti-backflow design, improve the safety drainage.



Product Description

The general tank pump P180 can meet the most air conditioning and refrigeration equipment's condensate drainage, which covering discharge lift under 4.5 meters. Suitable for the device which cooling capacity under 300,000 btu/hr.

Adopting a dirt resistant centrifugal high-power water pump, built-in safety switch and probe level sensor, make sure the pump can make the reliable running for a long time.

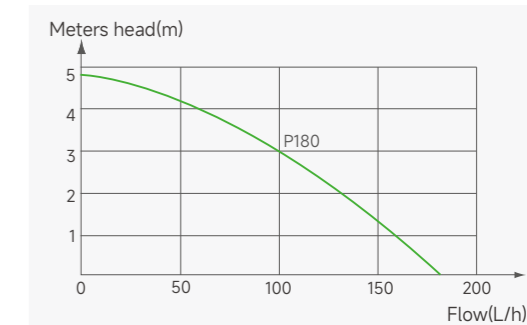
Max flow
180L/h

Max rec. head
4.5m

Technical Data

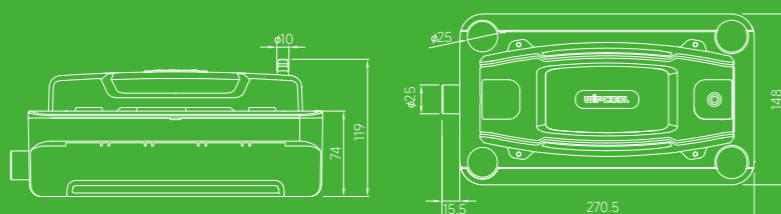
Model	P180
Voltage	230V~/50-60Hz or 100-120V~/50-60Hz
Discharge Head(Max.)	4.5m(15ft)
Flow Rate(Max.)	180L/h(48GPH)
Tank Capacity	1.8L
Sound Level at 1m	48dB(A)
Ambient Temp.	0°C-50°C
Power Consumption	60W

Flow Rate





P380 Tank Condensate Pump



P380 Low Profile Tank Condensate Pump

Low Profile, High Lift



Buckle type fixed structure, simple installation.



5 inlets for optional(4 top & 1 side), easy to use.



Low profile design, good fit for those instances where space is at a premium.



Product Description

The P380 tank pump provides the most economical solution when face the a drainage demand of lift within 7 meters and flow rate within 400L/h. Suitable for the device which cooling capacity under 500,000 btu/hr.

Max Flow
380L/h

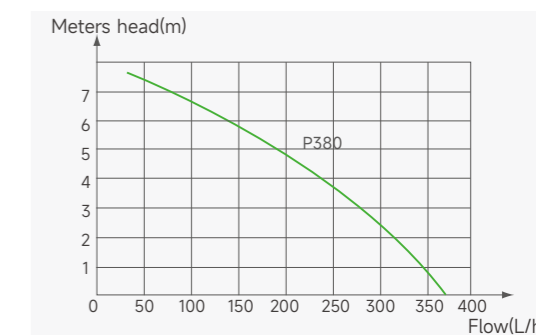
Adopting a high performance water pump, built-in safety switch and probe level sensor. Make sure the pump can make the reliable running for a long time. In addition, this pump is only 119mm height, so it's a good fit for those instances where space is at a premium.

Max rec. head
6.8m

Technical Data

Model	P380
Voltage	100V-230V~/50-60Hz
Discharge Head(Max.)	6.8m(22ft)
Flow Rate(Max.)	380L/h(100GPH)
Tank Capacity	1.8L
Sound Level at 1m	28dB(A)
Ambient Temp.	0°C-50°C
Power Consumption	20W

Flow Rate



P580 Super Performance Tank Condensate Pump

Ultra-high Lift, Big Flow Rate



Super performance(12m lift head,580L/h flow rate).



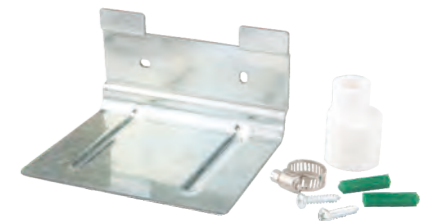
Forced air cooling brushless motor, ensure stable running.



Anti-backflow design, guarantee the safety drainage.



Dual sensor control system, improve durability.



Product Description

The P580 tank pump provides the most economical solution under extreme drainage conditions (12 meter lift height, 600L/h flow rate), Suitable for the device which cooling capacity under 500,000 btu/hr.

Adopting brushless motor, dirt resistant high-power centrifugal water pump, built-in safety switch and dual control level sensor(probe & float). Ensuring that the product can operate reliable for a long time and safely discharge condensate.

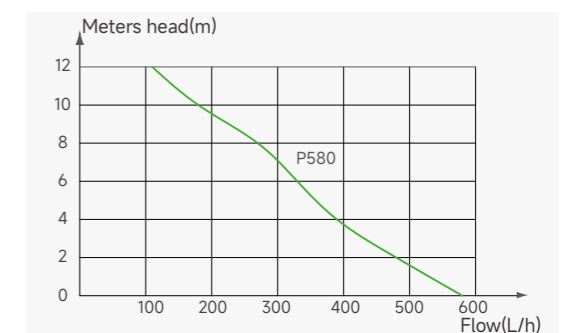
Max flow
580L/h

Max rec. head
12m

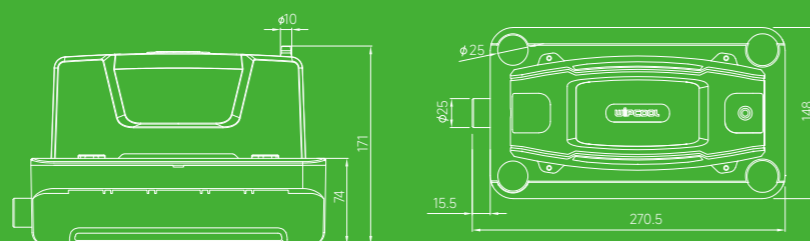
Technical Data :

Model	P580
Voltage	230V~/50-60Hz or 100-120V~/50-60Hz
Discharge Head(Max.)	12m(40ft)
Flow Rate(Max.)	580L/h(153GPH)
Tank Capacity	1.8L
Sound Level at 1m	60dB(A)
Ambient Temp.	0°C-50°C
Power Consumption	85W

Flow Rate



P580 Tank Condensate Pump





Supermarket Pump

WIPCOOL supermarket condensate pump applied the compact design, Ideal for cold produce display cabinets in supermarkets and convenience stores. Especially suitable to handle condensate from supermarket refrigerated display cabinets.

It is extremely easy to install and maintain. Built-in high level safety switch which will either enable the plant to be switched off or sound an alarm in the event of a pump failure.

Why Choose WIPCOOL Supermarket Pump

- Easy maintenance
- Time saving
- High performance
- Industry leading

Supermarket Pump Selection Guide

Model	Max. unit output	Applicable	Applicable place	Discharge head (Max)
P120S	300,000Bth/h	Single and multiple refrigeration units; Cold store cabinets	Cold stores, Supermarkets	30m
P360S	500,000Bth/h			36m

Remarks:

Cooling capacity conversion
1Btu/h=0.2931W,1W=3.412Btu/h
1USRT=3.517kW,1kW=0.28434USRT

P120S Economic Supermarket Condensate Pump

Special Design, Simple Installation



Made of stainless steel case with 3L large reservoir



Ideal for cold produce display cabinets in supermarkets and convenience stores



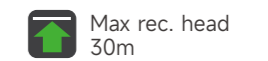
Low profile (69mm height) for extremely easy to install and maintenance.



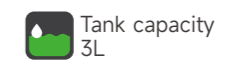
Built of heat resistant material, suitable for handling 70°C high temperature water

Product Description

The P120S is specially designed to handle condensate from supermarket refrigerated display cabinets, it is extremely easy to install and maintain.



The compact design of the pump facilitates installation under low-slung display cabinets, and it remove water during the defrost cycle.

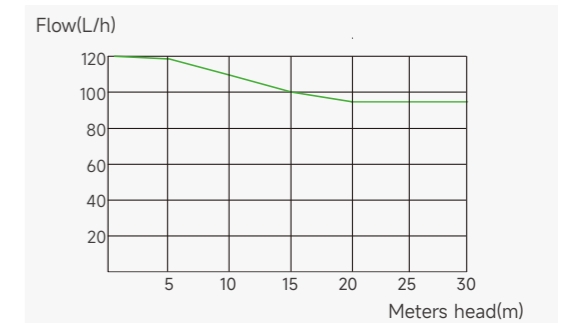


Including a easy clean stainless tank which can handle the 70°C hot water, non return valve 2inlets for optional(top or side). Effectively pumps away defrost water and filters debris.

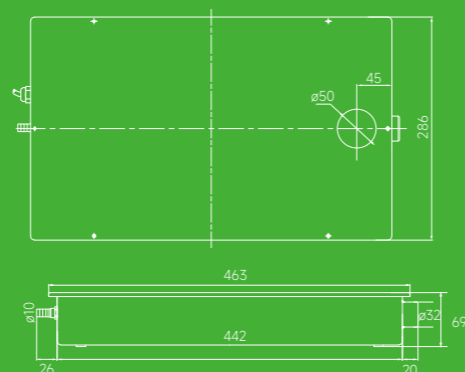
Technical Data

Model	P120S
Voltage	230V~/50-60Hz or 100-120V~/50-60Hz
Discharge Head(Max.)	30m(98ft)
Flow Rate(Max.)	120L/h(32GPH)
Tank Capacity	3L
Sound Level at 1m	40~62dB(A)
Water Temp.	Max 75°C
Power	30W

Flow Rate

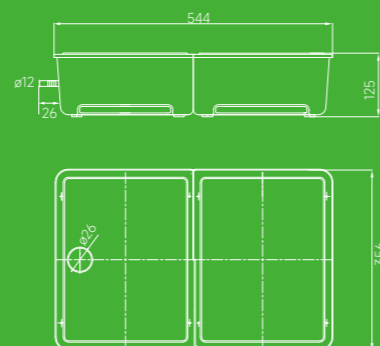


P120S Supermarket Condensate Pump





P360S Supermarket Condensate Pump



P360S Premium Supermarket Condensate Pump

Lightweight Design, Reliable & Durable



Made of robust plastic, effectively pumps away defrost water and filters debris.



Low profile design, ideal for cold produce display cabinets in supermarkets and convenience stores.



Built-in high level safety switch which will either enable the plant to be switched off or sound an alarm in the event of a pump failure.



Product Description

Made of lightweight and robust plastic, the P360S is specially designed to handle condensate from supermarket refrigerated display cabinets, it is extremely easy to install and maintain.

Built-in a dual-control system with a powerful motor, including a durable ABS tank, non return valve, 2 inlets for optional (top or side). Effectively pumps away defrost water and filters debris.

Max flow
360L/h

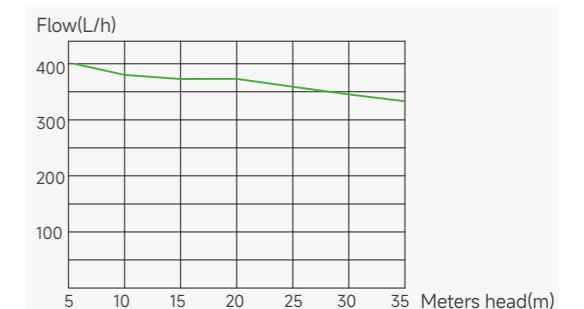
Max rec. head
36m

Tank capacity
11L

Technical Data

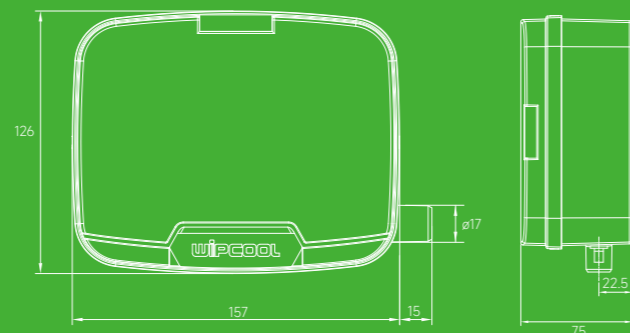
Model	P360S
Voltage	230V~/50-60Hz or 100-120V~/50-60Hz
Discharge Head(Max.)	36m(118ft)
Flow Rate(Max.)	360L/h(95GPH)
Tank Capacity	11L
Sound Level at 1m	60dB(A)
Water Temp.	0-40°C
Power	80W

Flow Rate





P15J Condensate Atomization Pump



P15J Condensate Atomization Pump

Create Wealth From Waste Energy, Saving & CO2 Emission



Stop condensate water's dripping and free of condensate pipe's installation



Increased the heat exchange efficiency by water evaporation absorbs a lot of heat



Enhanced refrigeration effect of the system obviously, saving the energy



Integrated usage



Interchangeable



Split usage

Product Description

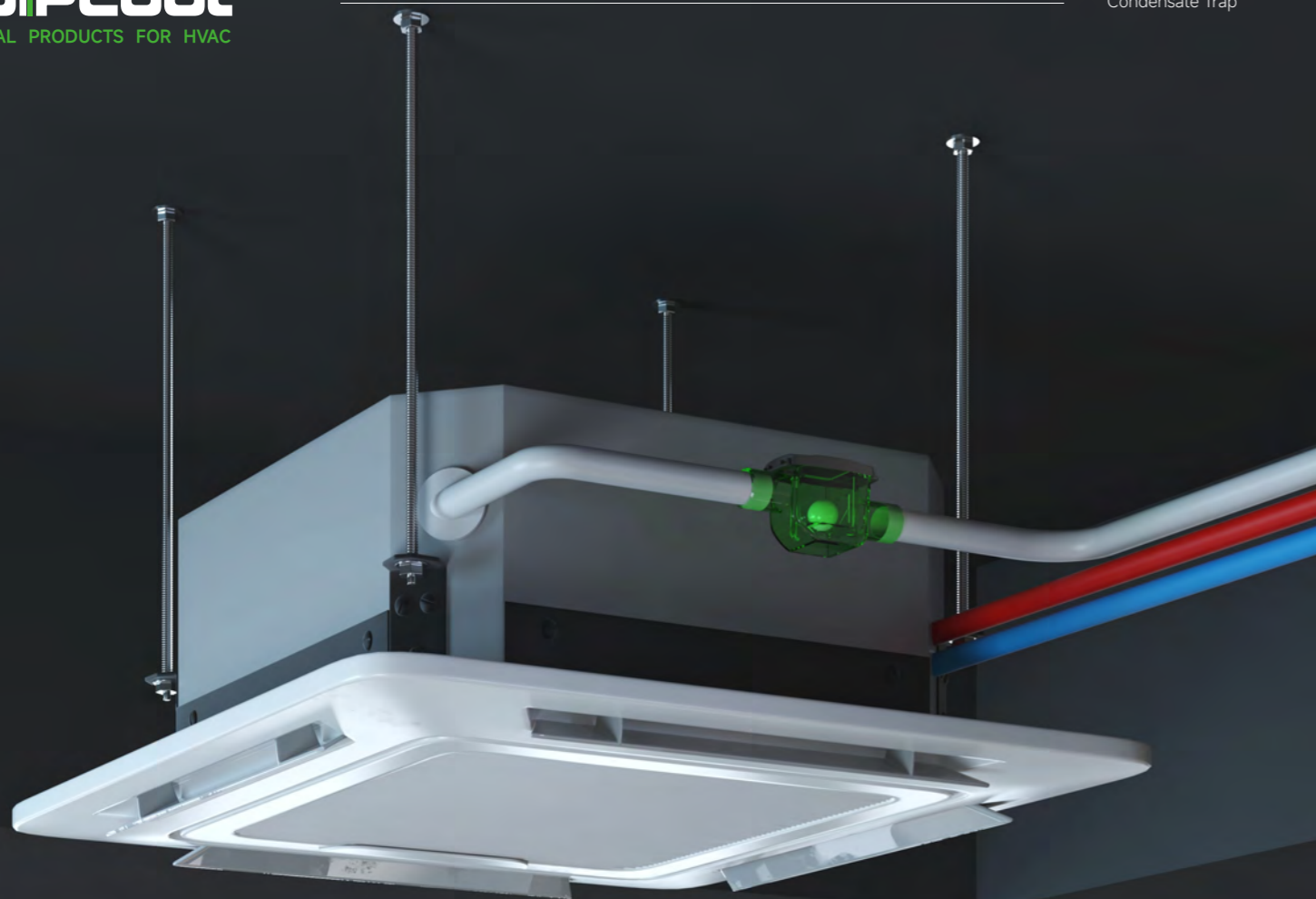
P15J is for atomizing air conditioner condensate drainage. The system consists of only a few elements to reduce the risk of malfunctions and failures. A central apparatus (pump and diaphragm) protected by a white box, a tube to collect the discharge water, a small tube to dispose of the mist and an end nozzle that only need connecting together to solve the condensate drainage problem in a practical, fast and cost-effective way. And Enhanced refrigeration effect of the system at the same time.

Flow rate
15L/h

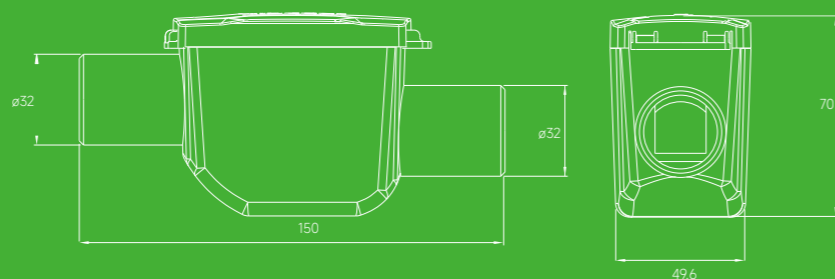
Working pressure
7bar

Technical Data

Model:	P15J	Tank Capacity:	35ml
Voltage:	230V~/50-60Hz 100-120V~/50-60Hz	Mini Splits up to:	30,000btu/hr
Flow Rate(Max.):	15L/h(2 nozzles)	Sound Level at 1m:	55dB(A)
Pressure:	7bar	Power:	35W
Suction lift(Max.)	1.5m(5ft)	Ambient Temp:	0°C-50°C



PT-25 Floating-ball Condensate Trap



PT-25 Floating-ball Condensate Trap

Smooth Drainage, Enjoy Fresh Air



Lightweight design, easy to install.



Anti blockage, prevent smelly & insect-resistant.



Controlled by floating ball valve, suitable for all seasons.



No need to inject water when it is dry.

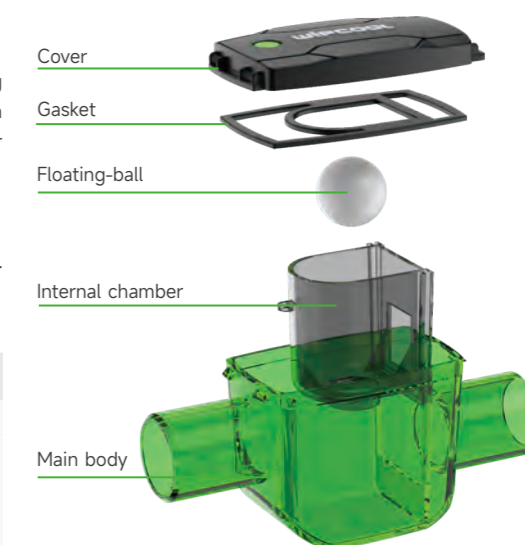


Product Description

The WIPCOOL floating-ball condensate trap is designed to solve the problems of outdoor air reflux, odor, and harmful insect invasion in the condensate discharge pipeline of the air conditioning.

By floating the ball up and down, the disadvantage of traditional water traps not being able to perform their water sealing function during dry seasons is avoided. Adopting a buckle design, it is easy to install, easy to maintain, and provides users with a fresh indoor environment.

Exploded figure



Technical Data

Model	PT-25
Inner diameter	Ø25
Outer diameter	Ø32
Negative pressure	1200Pa
Gross weight	115g

PT-25V Vertical Type Condensate Trap

Smooth Drainage, Enjoy Fresh Air



Lightweight design, easy to install



Water storing design, prevent smelly & insect-resistant



Built-in gasket seal, ensure no leakage



Made of PC material, anti-ageing & corrosion-resistant

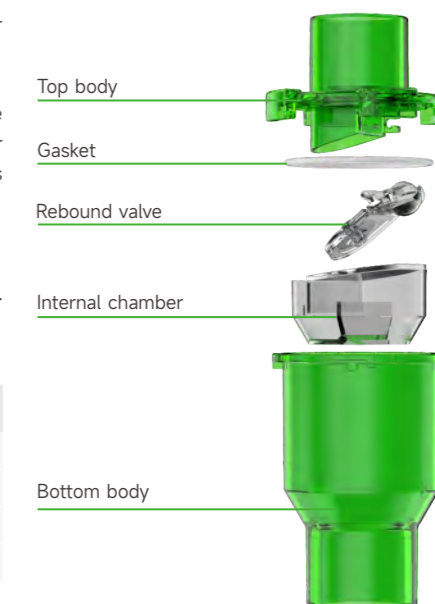


Product Description

The WIPCOOL Vertical Type condensate trap is designed to solve the problems of outdoor air reflux, odor, and harmful insect invasion in the condensate discharge pipeline of the air conditioning.

The condensate trap controlled by a sensitive rebound valve, which will open by the gravity of the creating condensate water and close when there is no condensate water created. Adopting a buckle design, it is easy to install, easy to maintain, and provides users with a fresh indoor environment.

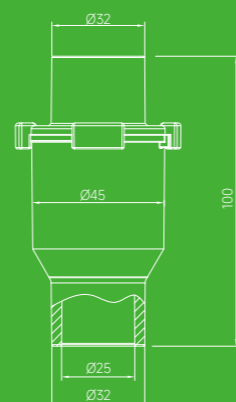
Exploded figure



Technical Data

Model	PT-25V
Inner diameter	Ø25
Outer diameter	Ø32
Negative pressure	1200Pa
Gross weight	60g

PT-25V Vertical Type Condensate Trap



PLC-1 Intelligent Level Controller

Intelligent, Security



Built in indicator - provide visual operating feedback



Sensitive control - cut off power supply automatically in case of drainage failure



Easy to install - Suitable for all WIPCOOL condensate pumps which have built-in safety switch



Instructions



Normal drainage status
All devices are working normally



Failure drainage status
Output was cut off when water reaches alarm level to trigger safety switch, To prevent refrigeration equipment continue to generating the condensate water

Product Description

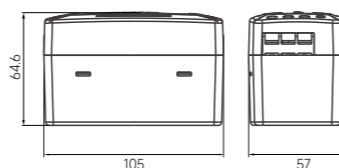
WIPCOOL intelligent level controller is designed to solve the problem of condensed water drainage in the working process of dehumidifying equipment or refrigeration equipment.

It can automatically cut off the power supply of the equipment through the built-in intelligent chip control, so as to avoid the occurrence of problems such as bubble water of the equipment on the roof of home decoration. Its appearance is exquisite and its wiring is simple, so it is the best companion of drainage pump.

Technical Data

Model	PLC-1
Power of applicable equipment (Max.)	3000W
Max Carry Current	16A

Dimensions



DT-1/2/3 Condensate Drain Tubing

Flexible, durable and non toxic



Product Description

DT-1/2/3 are for use with air conditioning and refrigeration condensate drains, condensate pump discharge lines and humidifier overflow drain lines. These tubing are designed to be kink resistant, lightweight and flexible. Made of high quality PVC materials with smooth interior and exterior that prevents sediment accumulation, allows easy flow.

The tubing are easy to shape, bend and install. DT-1 is suitable for these mini pumps and DT-2 is suitable for tank pumps. DT-3 has the good insulation performance that can thoroughly solve the problem of condensate forming on the outside of the condensate drain line.

Technical Data

Model	DT-1	DT-2	DT-3
Material	PVC	PVC	PVC+PE
Size	Ø6mm x Ø9mm	Ø8mm x Ø12mm	Ø6mm x Ø9mm
Length	100m	100m	50m

HVAC maintenance

Heating, Ventilation and Air Conditioning (HVAC) is a vital component of all buildings and it requires regular maintenance like all other appliances or systems installed.

Regular preventive maintenance of your HVAC system will bring the 6 benefits.

1, Lower energy costs 2, Reduced repair costs 3, Fewer Emergency Repairs 4, Sustainability 5, Higher life span of your system 6, Health and safety.

In WIPCOOL, we have been committed to developing HVAC system maintenance solutions to improve the efficiency and speed of maintaining HVAC and refrigeration equipment. We help customers simplify their ongoing, planned, and predictive maintenance by providing HVAC maintenance tools to maintain optimal system operation.

We are proud to have developed industry leading products in condensers, evaporator coil cleaning machines, chiller tube cleaner, refrigeration compressor oil charging pump and more.



The Importance Of HVAC Coils Cleaning

Air conditioners "coils" like evaporator coils and condenser coils are the primary method for heat exchange, whether that be removing heat from the air (cooling) or pushing heat back into the air (heating).

The below 3 aspects will depend on having clean coils.

1,Maximum heat transfer is dependent on having clean coils!

In addition to energy consumption, other by products impact your coils. Acid formation can occur under these conditions, leading to lubricant breakdown and ultimately equipment failure. Cooling air passing through the coils contains dust, dirt, pollen, moisture and other contaminants clogging the coils promoting the growth of organisms and thereby generating odors throughout an occupied space.

2,System longevity is dependent on having clean coils!

In addition, the evaporator coil and its condensate pan can become fouled with pollen, mold spores and other bio contaminants and can have an adverse effect on indoor air quality. With all the moisture around the evaporator coil, it can become a breeding ground for bacteria and mold.

3,Indoor air quality is dependent on having clean coils!

Clean coils the right way. While any attempt to clean coils on a consistent basis can be applauded, there are right ways and wrong ways of cleaning. Cleaning the wrong way can actually do more harm than good.

Different with pump sprays (low pressure and flow and not very effective in penetrating most coils beds) and pressure washers (uses pressure that's too high and damages fins), WIPCOOL can supply you a full range of cleaning machines which have balanced pressure and water volume that's safe on coils, pressure range from 2BAR (30PSI) to 40 BAR (580PSI), provide you with AC power and Lithium battery power. And supply you with cool water, hot water and steam cleaning mode, to meet the cleaning needs of different occasions.



How To Choose A Coil Cleaning Machine?



Make the regular cleaning with cleaning equipment, especially for condenser and evaporator, is one of the fastest and safest ways to ensure that the equipment operates with the highest efficiency and keep the indoor air healthy and clean. The following 3 points should be considered when choosing a cleaning machine.

1, Water

Depending on where the coils are located, you may have to bring your own water to the job, so finding this out beforehand is very important. When it comes to cleaning in remote locations, the cleaning machine with on-board water tank will help get cleaning done quickly. Our C10BW HVAC Coil Cleaning machine is designed for this kind of flexibility.

2, The size of HVAC system

Another very important factor to consider when cleaning coils is their thickness. Thick coils like these commercial & industrial HVAC system are usually pretty challenging to clean efficiently. Cleaning them right requires a perfect combination of higher volumes of water and pump pressure to penetrate far enough into thick coil beds to flush out dirt and debris. And the domestic unit is relatively simple, the cleaning pressure for outdoor unit should be a little higher than indoor unit, so choose a dual-pressure cleaning machine(3-10bar) will be suitable for you.

3, Power

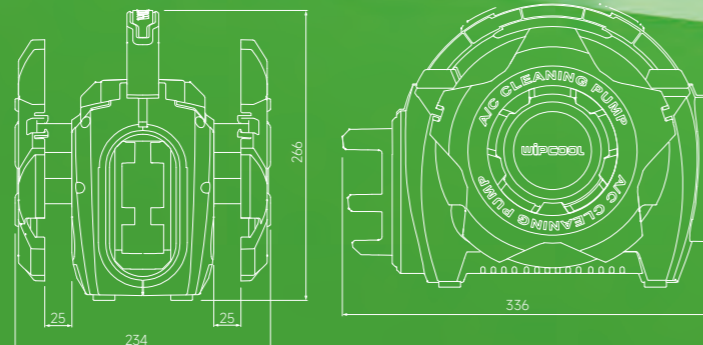
Knowing if there will be electrical power in an area you will be cleaning coils is equally as important as knowing if there will be water available. Considering that some outdoor unit installed on rooftop without power socket. It is hard to find the AC power source. so a portable, cordless cleaning machine is necessary.

Coil Cleaning Machine Selection Guide

Model	Pressure	Type	Power
C10	5/10bar	Indoor-outdoor unit(Domestic), Indoor unit(Commercial)	AC Power
C10B	5/10bar	Indoor-outdoor unit(Domestic), Indoor unit(Commercial)	Li-ion battery
C10BW	5/10bar	Indoor-outdoor unit(Domestic), Indoor unit(Commercial)	Li-ion battery
C28T	5-28bar(adjustable)	Indoor-outdoor unit (Domestic, Commercial)	AC Power
28B	7/20bar(adjustable)	Indoor-outdoor unit (Domestic, Commercial)	Li-ion battery
C40T	10-40bar(adjustable)	Indoor-outdoor unit (Domestic, Commercial)	AC Power
C110T	10-110bar(adjustable)	Outdoor unit (Commercial,Industrial)	AC Power
C30S	6bar(steam)	Indoor unit	AC Power



C10 Portable Coil Cleaning Machine



C10 Portable Coil Cleaning Machine

Dual Pressure Cleaning
Professional & Efficient



Reel structure, free to release and retract the inlet and outlet hose.



Two pressure optional, meet the different cleaning requirement.



Built-in pressure controller, suspend automatically.



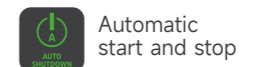
Medium pressure, safety for coils cleaning to avoid fins damage.



Product Description

C10 is a professional air conditioning coil cleaning machine that uses AC power supply and can operate in low pressure mode of 3-5 bar and high pressure mode of 7-10 bar. The pressure can be adjusted by simply pressing the top button, allowing for safety cleaning of the indoor and outdoor coils.

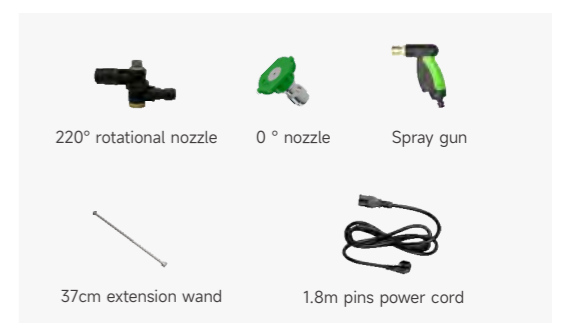
Because of the self priming function, so you can use a external water tank to solve water source problem. At the same time, it is equipped with various professional cleaning accessories, such as a 220 ° rotating nozzle with a 37cm extension wand, which can easily penetrate into narrow gaps for cleaning. The product is lightweight and portable, and can be carried away with one hand.



Technical Data

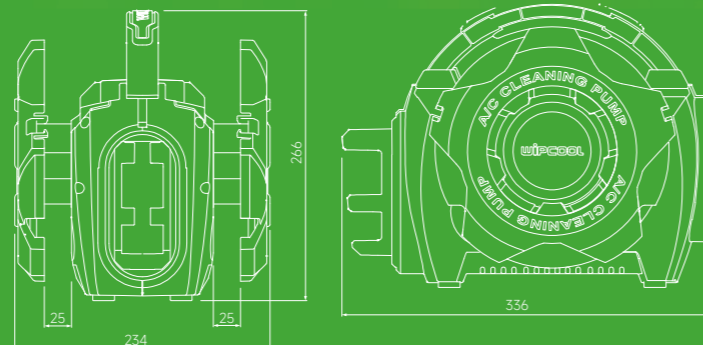
Model	C10
Voltage	230V~/50-60Hz or 100-120V~/50-60Hz
Working Pressure	3-5 / 7-10 bar(Dual)
Flow Rate (Max.)	4L/min
Motor Power	100W
Weight	3.7kg
Inlet Hose	2.5m
Outlet Hose	5.0m

Accessories





C10B Cordless Coil Cleaning Machine



Coil Cleaning Machine

C10B Cordless Coil Cleaning Machine

Battery Powered, Cordless Cleaning



Reel structure, free to release and retract the inlet and outlet hose.



Two pressure optional, meet the different cleaning requirement.



Built-in pressure controller, suspend automatically.



Li-ion battery powered, get rid of site power limitations.



Product Description

C10B is a professional cordless air conditioning cleaning machine that can operate in low pressure mode of 3 to 5 bar and high pressure mode of 7 to 10 bar. The pressure selection can be adjusted by simply pressing the top button, allowing for safety cleaning of the inner and outer coils.

Because of the self priming function, so you can use a external water tank to solve water source problem. At the same time, it is equipped with various professional cleaning accessories, such as a 220 ° rotating nozzle with a 37cm extension wand, which can easily penetrate into narrow gaps for cleaning. The product is lightweight and portable, and can be carried away with one hand.

Using an 18V Li-ion battery for power supply means there is no need to search for AC power sources everywhere, especially when cleaning outdoor air conditioning units. In addition, in order to maximize the utilization of existing Li-ion batteries in users' hands and reduce their purchasing costs, we have specially developed 6 mainstream brand battery adapters (Bosch, Makita, Panasonic, Dewalt, Worx, and Milwaukee), which can easily be compatible with the use of the above brand batteries.



4 l/min
Maximum
flow rate



Automatic
start and stop



5/10Bar
Adjustable
pressure



Compatible to
6 mainstream
brand battery

Technical Data

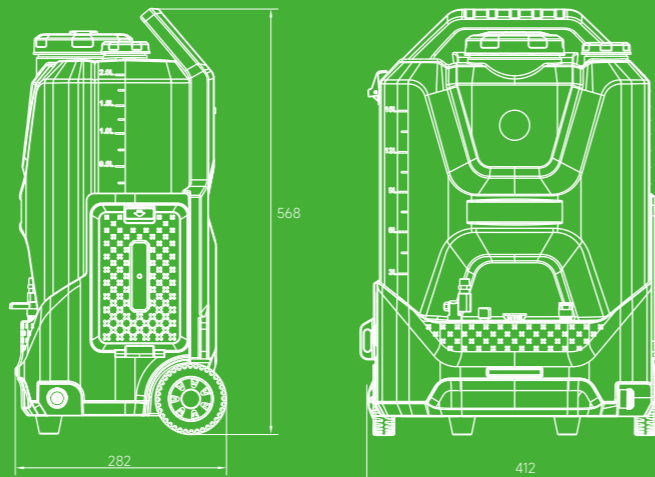
Model	C10B
Voltage	18V(AEG/RIDGID interface)
Working Pressure	3-5 / 7-10 bar(Dual)
Flow Rate (Max.)	4L/min
Motor Power	80W
Weight	3.7kg(w/o battery)
Inlet Hose	2.5m
Outlet Hose	5.0m
Reference Running Time	50-120mins (4.0Ah Li-ion battery)
Reference Charging Time	210mins(4.0Ah Li-ion battery)
Remarks	Due to the strict transportation terms, we can not include any Li-ion battery, you can choose our battery adapters(Bosch & Makita standard equipped) for use your own batteries.

Accessories





C10BW Integrated Coil Cleaning Machine



C10BW Integrated Coil Cleaning Machine

Integrated Solution, Mobility Cleaning



Excellent mobility
Equipped with wheels and push handle



Integrated Solution
18L clean water tank with 2L chemical tank



2 Power for choice
AC powered or 18V Li-ion powered



Excellent mobility
Also available with a back strap for ultimate portability.



Product Description

The integrated coil cleaning machine C10BW is ideal for cleaning in locations where water and power may be inaccessible.

It is powered by AC power or 18V lithium battery, and has 6 battery adapters(optional) for your choice, you can use your own batteries if your battery compatible any one in these 6 adapters.

In addition, this machine give you a full integrated coil cleaning solution. A 18L clean water tank with a 2L chemical tank. And trolley case design bring with a excellent mobility. A optional back strap can completely liberate your both hands to carry the cleaning machine and climb the ladder to a specific jobsite (such as attic, roof, etc).So it can be used for just about any coil cleaning application.

Different from the traditional high pressure cleaning machine and low pressure sprayer. The machine is special design and safety for HVAC coils, provide two cleaning pressure. It can be selected between 5bar/10bar according the different cleaning occasions, give you the cleanest coils you ever had!



Automatic start and stop



Flow rate
4 L/min



Compatible to
6 mainstream brand battery



Adjustable pressure
5/10Bar

Technical Data :

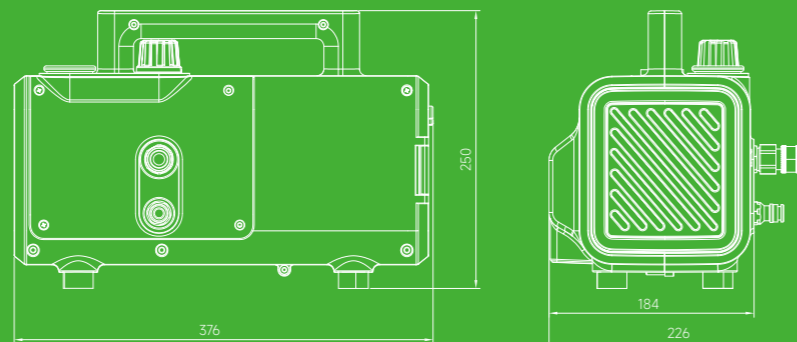
Model	C10BW
Voltage	18V(AEG/RIDGID interface)
Pressure	3-5 / 7-10 bar(Dual)
Flow rate(Max.)	4L/min
Reference Running time	50-120mins(4.0AhLi-ion battery)
Reference Charging time	210mins(4.0AhLi-ion battery)
Motor Power	80W
Tank Capacity	18L clean water tank + 2L chemical tank
Outlet Hose	5m
Weight(dry)	6.6kg(w/o battery)
Remarks	Due to the strict transportation terms, we can not include any Li-ion battery, you can choose our battery adapters for use your own batteries.

Accessories





C28T Crankshaft-driven High Pressure Cleaning Machine



C28T Crankshaft-driven High Pressure Cleaning Machine

Industrial Grade
Reliable & Durable



Variable pressure (5-28bar) for optimal flexibility to meet the different occasions.



Crankshaft-driven pump with ceramic-coated pistons for long service life.



Large oil level sight glass, easily accessible to check oil status, and ready for oil change in time for maintenance.



Product Description

C28T is a professional high-pressure equipment, special design for HVAC cleaning industry, it has a crankshaft-driven pump with ceramic-coated pistons for long service life, allowing it to work continuously.

With its adjustable working pressure from 5-28bar for optimal flexible cleaning, it is able to remove the most dirt from condenser & evaporator coils without damaging these sensitive fins.

Great portability. Its small size and light weight allow it to be carried in one hand.



Flow rate
4.5 L/min



Adjustable pressure
5-28bar



Automatic
start and stop

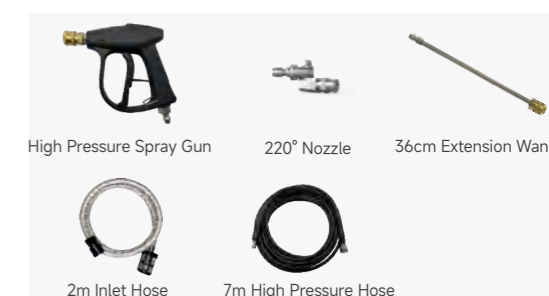


Continuous operation
4-6h

Technical Data

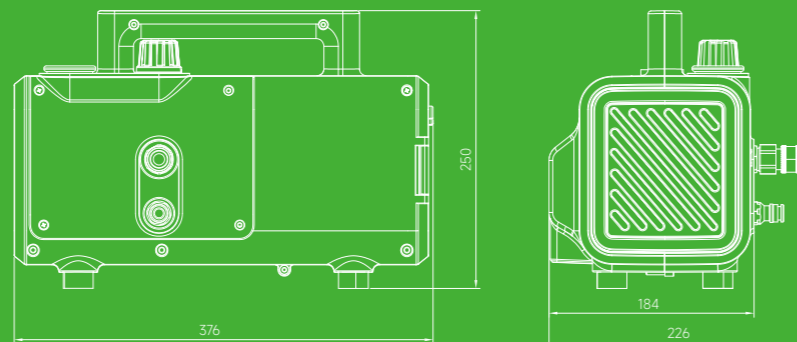
Model	C28T
Voltage	230V-/50-60Hz or 100-120V/50-60Hz
Working Pressure	5-28bar(Adjustable)
Flow Rate(Max.)	4.5L/min
Output Power	3/4HP
Weight	8.5kg
Water Pipe	2m inlet hose, 7m outlet Hose

Accessories





C28B Crankshaft-driven Cordless Cleaning Machine



C28B Crankshaft-driven Cordless Cleaning Machine

Industrial Grade
Mobility Cleaning



Variable pressure (5-28bar) for optimal flexibility to meet the different occasions.



Crankshaft-driven pump with ceramic-coated pistons for long service life.



Large oil level sight glass, easily accessible to check oil status, and ready for oil change in time for maintenance.



Li-ion battery powered, get rid of site power limitations.

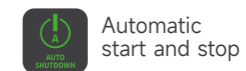


Product Description

C28B is a professional cordless high-pressure equipment, special design for HVAC cleaning industry, it has a crankshaft-driven pump with ceramic-coated pistons for long service life, allowing it to work continuously.

With its 2 adjustable working pressure from 7/28bar for optimal flexible cleaning, it is able to remove the most dirt from condenser & evaporator coils without damaging these sensitive fins.

Using an 18V Li-ion battery for power supply means there is no need to search for AC power sources everywhere, especially when cleaning outdoor air conditioning units. In addition, in order to maximize the utilization of existing Li-ion batteries in users' hands and reduce their purchasing costs, we have specially developed 6 mainstream brand battery adapters (Bosch, Makita, Panasonic, Dewalt, Worx, and Milwaukee), which can easily be compatible with the use of the above brand batteries.



Battery adapter(Optional)
For details, see P102

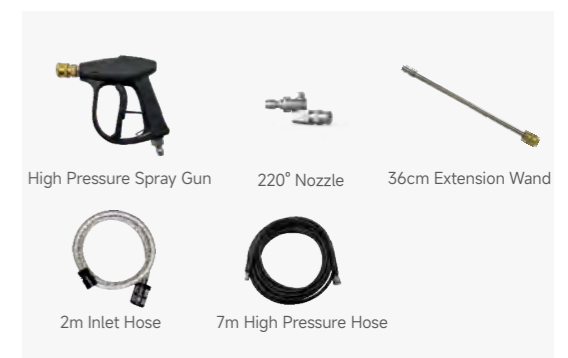
6 Adapters for choice, Perfect fit for 6 brands of batteries (Adapter is available separately)



Technical Data

Model	C28B
Voltage	18V(AEG/RIDGID interface)
Working Pressure	7/20bar
Flow Rate(Max.)	4 L/min
Output Power	1/2HP
Weight	5.0kg
Water Pipe	2m inlet hose, 7m outlet Hose
Reference Running Time	30-45min(18V/9.6Ah)
Remarks	Due to the strict transportation terms, we can not include any Li-ion battery, you can choose our battery adapters for use your own batteries.

Accessories










C40T Adjustable High Pressure Cleaning Machine

Variable Pressure, Professional Cleaning



-  **Quick connection**
All accessories are easy to install and disassemble
-  **Overhead pressure gauge**
Easy to read the exact pressure.
-  **Pressure adjust knob**
Adjust pressure to meet different cleaning requirements
-  **Self-intake function**
pump water from buckets or storage tanks
-  **Ceramic-coated pistons**
Long service life, sturdy and reliable

Product Description


C40T is a comprehensive tool designed for professional cleaning of commercial and industrial equipment in the HVAC industry.

This machine is equipped with an easy-to-use knob. It makes it possible to select the pressure value during operation from 10 to 40 bar, allows for precise and quick removal of dirt from hard-to-reach places inside the device.

The great advantage of this machine equipped with many professional accessories, including a foaming set and foam nozzle, so you no need a manual foam machine. 2 extension wand(36cm), 220° rotational nozzle which can easily penetrate into narrow gaps for cleaning.

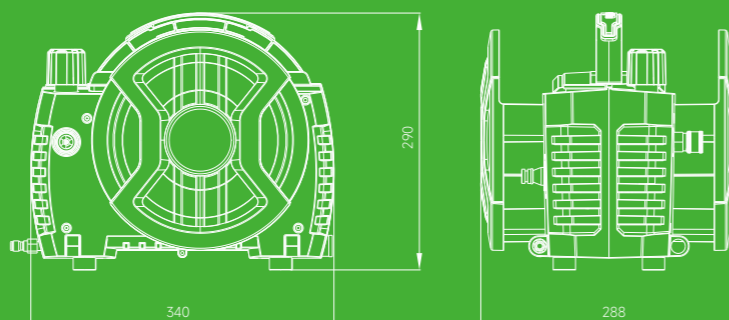
What's more, the integrated storage design make you can put all of the accessories in the both side of machine with out any omissions, At the same time, the compact size and lightweight of the machine make it easy to carry.

 Maximum flow rate
6 L/min

 Adjustable pressure
10-40 bar

 Automatic start and stop

C40T Adjustable High Pressure Cleaning Machine



Technical Data

Model	C40T
Voltage	230V~/50-60Hz or 100-120V/50-60Hz
Working Pressure	10-40bar
Flow Rate(Max.)	6L/min
Motor Power	1HP
Weight	8.0kg
Water Pipe	2m inlet hose, 7m outlet Hose

Accessories





C110T Crankshaft Driven Super High Pressure Washer

Compact & Durable, Strong Power



Variable pressure (10-90bar) for optimal flexibility to meet the different occasions.



Crankshaft-driven bass pump with ceramic-coated pistons for long service life.



Large oil level sight glass, easily accessible to check oil status, and ready for oil change in time for maintenance.



Dolly is available separately
Model No: Dolly110

Product Features

C110T is a professional high-pressure heavy duty equipment, small on the outside and big on the inside, it has a crankshaft-driven brass pump, allowing it to work continuously.

It's simply the best solution for an all-around industrial pressure washer to clean industrial environment and for facility management and maintenance needs.

Great portability. Its small size allows it to be carried in one hand. Or it can be mounted on a trolley for convenience.



Automatic Start & stop



4-6h Continuous operation

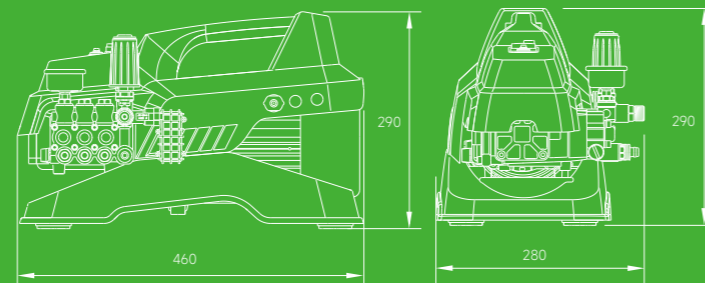


10-90bar Adjustable pressure



Input Power 3HP

C110T Crankshaft Driven Super High Pressure Washer



Technical Data

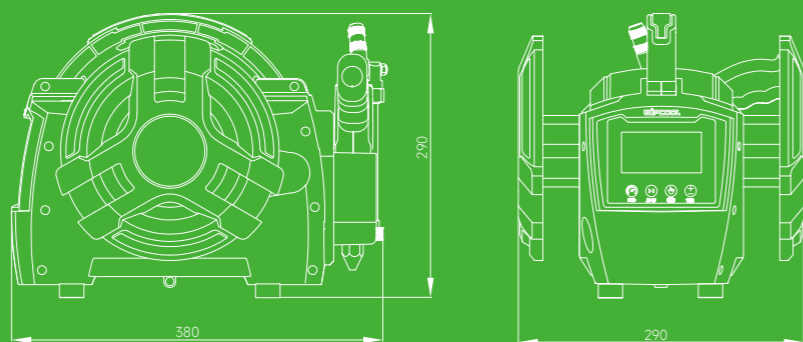
Model	C110T
Voltage:	230V~/50-60Hz or 115V~/60Hz
Max. Pressure:	110 bar
Operation Pressure:	90 bar
Input Power:	3HP
Inlet Water Pressure:	3bar
Flow Rate:	9L/min
Weight:	26.0kgs

Accessories





C30S Steam Cleaning Machine



C30S Steam Cleaning Machine

Strong Steam,Ultimate Clean



Remote control Intelligent spray gun, convenient operation with high efficient



Drum pump body structure, freely and quickly storage inlet and outlet pipes



Humanized configuration with LCD touch display and voice reminder



Hot steam with high pressure, Pure physical sterilizationOzone disinfection, safe and efficient sterilization



Product Description

C30S is a multi-functional device for comprehensive cleaning of your home air conditioner. The machine enables work in up to 5 modes: steam, hot water, cold water, pulse, ozone treatment. The steamer also features a LCD touch screen and voice messages informing about the device's operating mode.

Thanks to these functions, you can not only easily clean, but also disinfect the air conditioner and get rid of unpleasant odors.


The hot steam coming from the nozzle of the device may reach the temperature in the range of 130°C–150°C, so you will not only clean the inside of the air conditioner without the use of additional detergents, but also disinfect its interior.


The process of getting rid of dangerous bacteria and other microbes will be completed by the ozone treatment mode, which kills 99.9% of microorganisms and get rid of the nasty smell.


In hot water mode, the device heats the water to a temperature of 60–85 °C, with an operating pressure of 3–6 bar, so there is no fear of damaging the internal components of home air conditioning.

The machine also includes many professional accessories, such 90° bent spray nozzle, nylon brush, long steam nozzle, and a 220° rotational spray nozzle, which will help you the complete the professional and deep cleaning.

 6Bar High pressure steam

 5 types Cleaning mode

 30 seconds of heat up time

 130-150°C Steam temperature

Technical Data

Model	C30S	
Voltage	230V~/50-60Hz	100-120V~/50-60Hz
Power(Max.)	3300W	2000W
Flow Rate(Max.)	3L/min	3L/min
Working Pressure(Max.)	3-6bar	3-6bar
Suction Lift(Max.)	1.5m	1.5m
Steam Temp.	130-150°C	120-130°C
Water Outlet Temp.(Max.)	60-85°C	50-75°C
Water Pipe	2m Inlet hose,4m Outlet hose	

Accessories

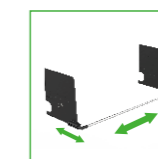
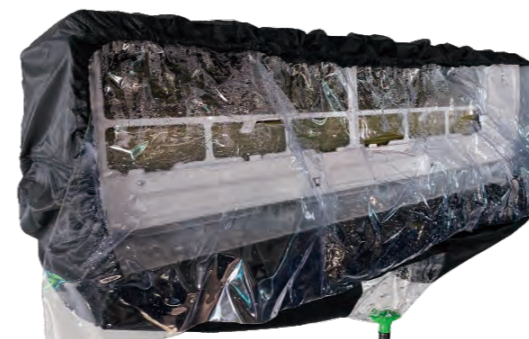




CSC-1 Split A/C Cleaning Cover

Full Protection, Easy Installation

- Made of artificial PU grade waterproof sealing strip with tight stitches
- Soft, sturdy, waterproof, corrosion resistant and durable
- The adjustable frame can change the length and suit for different split air conditioners
- Transparent front curtain can see coils' cleanliness clearly and prevents splashing
- 4 small back transparent films in the back of the A/C prevents walls from splashing



Adjustable frame



Transparent front curtain



Transparent back film

Model	CSC-1
Size	H:280*W:280*L700-1000(adjustable)
Outlet hose	5m

CSC-2 Ceiling A/C Cleaning Cover

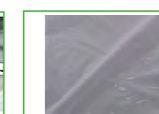
- Widened collection surface, fully catch the waste water during cleaning
- Integrated connection design, make the assemble and disassemble easily
- Whole piece of waterproof fabric cloth to avoid any water leakage
- Come with a stretched suspension plate, free to adjust cover height easily



Hexagon design



Integrated storage

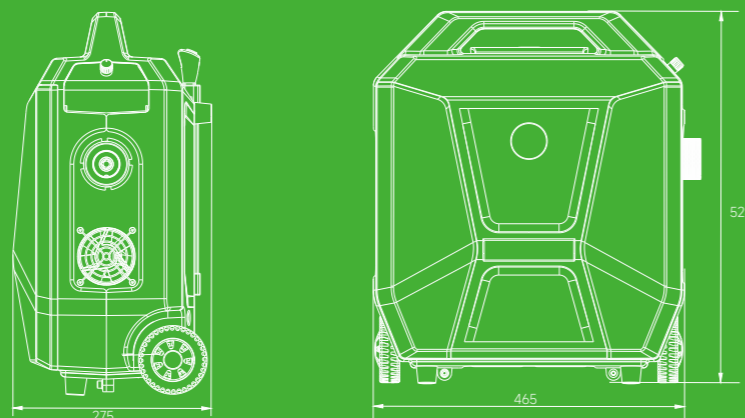


High quality waterproof material

Model	CSC-2
Size	125cm(diameter)
Outlet hose	3m



CT370 Chiller Tube Cleaner



CT370 Chiller Tube Cleaner

Compact Design
Portable & Durable



Patented Tech
Quick-connect structure make the brushes changes quickly and easily



Excellent mobility
Equipped with wheels and push handle



Integrated storage
A full set of brushes be storage in main body



Self-priming Function
Pump water from buckets or storage tanks



Reliable & Durable
Forced air cooling, keep the long time of stable operation



Product Description

CT370 is a professional tool for Chiller tube cleaning, featured with rugged and dependable. Special for HVAC maintenance technicians and contractors.

This compact tube cleaner kit includes everything you need for better tube cleaning, plus all the innovative features you expect. Integrated flush, self priming function, 860 RPM shaft rotation, quick connect shaft and brushes and all at half the size of our traditional tube cleaners.

The wheels and telescopic handle make it easy to transport between locations. An integrated storage compartment provides a handy location to keep all your accessories together in between uses, so they're always to hand when you need them, Bring you the ultimate experience in portability.

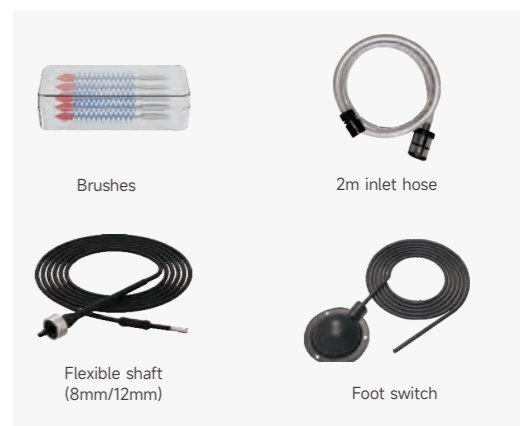
Shaft Speed
860r/min(230V)
1000r/min(100-120V)

Input Power
1/2HP

Technical Data

Model	CT370	
Voltage	100-120V~/50-60Hz	230V~/50-60Hz
Output Power		1/2HP
Shaft Speed	1000r/min	860r/min
Shaft Length		7.6m
Cord Length		4m
Shaft Size		8mm or 12mm(7.6m)
Brushes		18pcs(2boxes)
Weight		24kg
Remarks	8mm shaft cover brushes from 3/8", 7/16", 1/2" 12mm shaft cover brushes from 9/16", 5/8", 11/16", 3/4", 13/16", 7/8", 15/16", 1"	

Accessories





CDS24 Descaling Machine

Compact Design
Portable & Durable



Compact design
Easy transport and storage



Vortex type flush
More stable, continuous and uninterrupted flush



Multiple purposes
Heat exchangers, water pipes, heating and cooling systems



Product Description

CDS24 is the best solution for whom need more portable yet still powerful descaling. Constructed of heavy-duty polyethylene and acid-proof components, these units are designed for years of use in industrial applications.

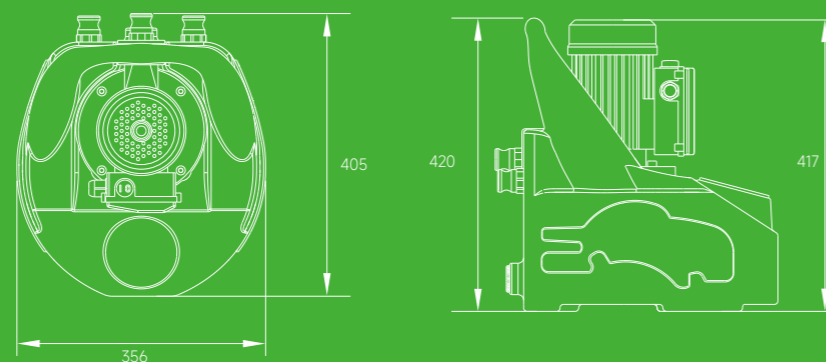
Each unit is self-priming and safely contains chemicals within its integral tank, allowing maximum user-friendliness. The CDS24 works great on small-size applications like oil coolers, plate and frame heat exchangers, water pipes, storage, heating and cooling systems and more.

Max flow
33L/min

Max discharge head
24m

Tank capacity
15L

CDS24 Descaling Machine



Technical Data

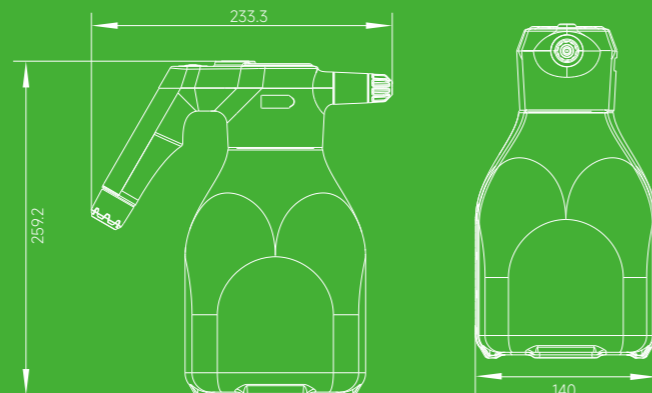
Model	CDS24
Voltage	230V~/50-60Hz or 100-120V~/50-60Hz
Output Power	1/2HP
Flow Rate	33L/min
Discharge Head	24m
Tank capacity	15L
Dimensions	420*356*405
Weight	11.5kg

Accessories





C2BW Hand-holder Electric Sprayer



C2BW Hand-holder Electric Sprayer

Resistant of strong acids & alkaline



HD LCD battery indicator clearly display of remaining power



Universal usb charging port makes the charging in anytime, anywhere



High-speed micro-motor allows good working pressure



Visual level display clearly show of remaining cleaner



Product Description

The C2BW hand-holder electric sprayer is constructed of high density polyethylene, and all of the material can be resistant of strong acids & alkaline. Built-in a 3.7V/2200mAh Li-ion, so it is perfectly replace the current hand-holder manual sprayer.

The adjustable spray nozzle allows a complete range of spray patterns. So the C2BW hand-holder electric sprayer can be used for spraying solutions of most coil cleaners on air conditioning cooling coils, air-cooled condensers, finned heating coils, refrigeration case or cooler coils, permanent air filters and other greasy, dirty surfaces.



Tank capacity
2L

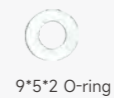


Li-ion Battery
3.7V/2200mAh

Technical Data

Model	C2BW
Voltage	3.7V(2200mAh)
Optimum Spray Distance	0.5-3m
Tank Capacity	2L
Nozzle Spray Sizes	0.3L/min(mist), 0.5L/min(water column)
Reference Running Time	2 hours
Reference Charging Time	2-3 hours

Accessories



9*5*2 O-ring



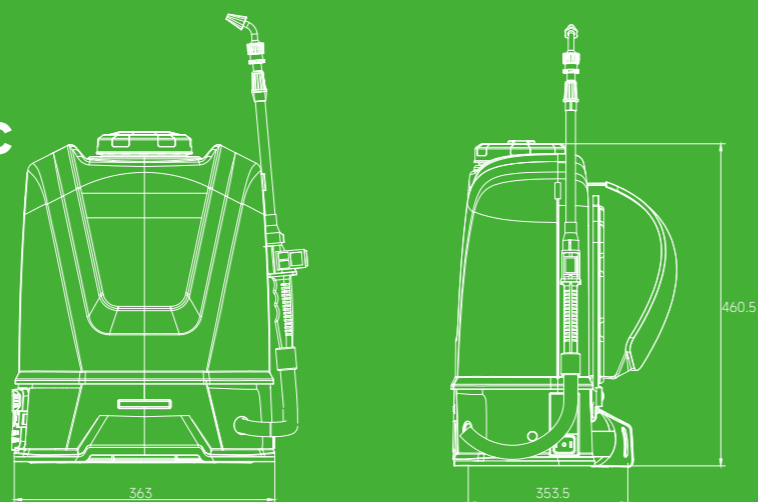
Washer



Micro-USB Charging Cable



ES140 Cordless Electrostatic Backpack Sprayer

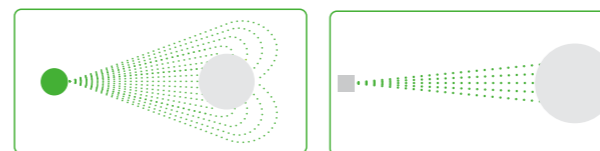


ES140 Cordless Electrostatic Backpack Sprayer

Professional
Fast & Efficient



⚡ Electrostatic charge generator
Providing a thin, even spray pattern on all surfaces



Electrostatic cordless sprayer

Normal Sprayer

🛢️ 16L tank
Allowing you to coat up to 2000 sq. m in one tank

🔋 18V Li-ion powered
Cordless convenience allows for effortless movement room to room

Product Description

The ES140 electrostatic cordless sprayer is the choice of cleaning professionals for disinfecting and sanitizing large areas quickly and efficiently. The 16L backpack sprayer holds enough disinfectant to cover up to 2,000 square meter on a single tank, while giving you up to 4 hour of spraying on a single battery(4.0Ah) charge.

The product is based on a simple physical principle: same electric charges repel each other, opposite electric charges attract each other. Through the built-in electrostatic generator, each sprayed particle is positively charged. Because the positively charged particles repel each other, so the coverage is wider and the effect of spraying on the object surface is more uniform.

In addition, since most objects have negative or neutral electric charges on their surfaces, They will attract these positive electric charges, create a mutual adsorption effect, and so it is can easily cover the backs of hard-to-reach objects, completing the job efficiently and quickly.

It can be used across a range of industries, from air travel, hospitals, hotel to schools,restaurants, and etc.

Technical Data

Model	ES140	Reference Running time
Voltage	18V(AEG/RIDGID interface)	150mins(2.0Ah)
Optimum Spray Distance	0.8-2m	260mins(4.0Ah)
Tank Capacity	16L	Reference Charging time
Nozzle Spray Sizes	140 micron	120mins(2.0Ah)
Flow Rate(Max.)	500ml/min	240mins(4.0Ah)
Motor Power	9W	
Remarks	Due to the strict transportation terms, we can not include any Li-ion battery, you can choose our battery adapters for use your local batteries.	

Accessories

Battery adapter(Optional) For details, see P102

6 Adapters for choice, Perfect fit for 6 brands of batteries (Adapter is available separately)



Refrigerant Oil Charging Pump

Where the refrigerant is essential for the cooling properties of a refrigeration system, the refrigeration oil is crucial for the correct functioning of the compressor. It mainly plays four roles: lubrication, sealing, cooling and energy regulation.

1, Lubrication

Lubricants for refrigeration compressors reduce friction and prevent wear, so as to extend the service life of the compressor.

2, Sealing

The refrigeration oil plays a sealing role in the compressor, which makes the piston and cylinder face in the compressor and the rotating bearings achieve the sealing effect, so as to prevent the refrigerant leakage.

3, Cooling

The refrigeration oil can take away the heat generated in the working process and keep the moving parts of the compressor at a lower temperature, so as to improve the efficiency and reliability of the compressor.

4, Energy regulation

For the compressor with energy regulating mechanism, the oil pressure of refrigeration oil can be used as the power of energy regulating mechanism. So the correct use and timely replacement of refrigerate oil will have a great impact on the service life and refrigeration effect of the compressor. The WPCOOL "Robust series" oil charging pump is developed for widely types of refrigeration compressor, represented by the electric oil charging pump series, which solves the charging problem of large flow under large back pressure, saves labor and improves efficiency. At the same time, Considering the high viscosity of refrigeration oil in winter, We firstly developed an unlimited electric charging series for all kinds refrigeration oil in Worldwide.



How To Choose A Oil Charging Pump

Following points should be considered when you choose a refrigeration oil charging pump

1, System's back pressure

When the system is under back pressure, the greater of back pressure that the oil pump can overcome, the more time and effort will be saved when charging. Therefore, the maximum back pressure that can be overcome must be considered when selecting an oil charging pump.

2, Flow Rate

The flow rate of a oil charging pump is usually expressed in liters/hour, so the time to charge is directly related to the flow rate. Therefore, it is necessary to select a suitable pump according to the amount of oil marked on the compressor and how many units need to charge.

3, Viscosity

Viscosity is a main performance index of refrigeration oil. Different refrigerants have different requirements for viscosity. At the same time, the viscosity of the refrigerating oil changes greatly with the temperature. The lower the temperature, the greater the viscosity. Therefore, the characteristics of the added refrigeration oil and the ambient temperature must be fully considered when selecting the oil charging pump.

Oil Charging Pump Selection Guide

Model	Max overcome pressure	Flow Rate	Viscosity
R1	10bar(145psi)	50ml/stoke	68
R2	15bar(218psi)	75ml/stoke	68
R4	16bar(232psi)	150L/h	100
R6	25bar(362psi)	350L/h	100

Unit Label			
Model	XXXXXXXX		
Cooling capacity	454kW	Voltage	3PHASE,380V,50Hz
Power Input	84.9kW	Running current	154A
Power factor	87%	Comp output	2X45kW
Refrigerant	R134a /140kg	Design press(Hi/Lo)	H1.59/L0.87Mpa
Ref oil	FVC68D/22L	Air tight test press(Hi/Lo)	H1.59/L0.87Mpa
MFG No.	XXXX	Unit weight	3650kg
Production license No.	XXXXXXXX		

Remarks: If it is a new unit or an overhauled unit, the oil filling amount is indicated on the unit nameplate. If it is just change oil, follow the principle of charging as much as it is released.

Refrigeration Oil's Selection (For reference only)

Viscosity	Domestic air conditioning unit (Compressor)			Commercial central air conditioning, industrial refrigeration equipment(Compressor)		
	Piston	Rotary	Centrifugal	Piston	Screw	Scroll
32	✓	✓	✓	✓		
46	✓	✓	✓	✓		
68		✓	✓	✓	✓	✓
100			✓		✓	✓



R1 R2 Manual Refrigeration Oil Charging Pump

Pressurized Charging,
Reliable And Durable



Applied stainless steel materials, reliable and durable



Anti-backflow structure, ensure system safety during charging



Special design, ensure to connect the different size of oil bottles




Pumps oil into the system without shutting down for charging




Product Description

R1 Refrigeration Oil hand charging Pump provides for the addition or removal of refrigeration oil when servicing air conditioning and refrigeration systems. The pump can be used while the unit is operating. It is not necessary to shut down the system for charging. Can be used on one gallon, two and a half gallon and five gallon containers. Moves 1.7 fl. oz. (50ml) per stroke against 145 psi(10bar) pressure.

The R2 oil charging pump is designed and manufactured to allow technicians to pump oil into the system while the unit is operating. There is no need to shut down the system for charging. Features a universal stopper that automatically adjusts to all standard openings in 1, 2-1/2 and 5 gallon oil containers. Suction transfer hose and fittings included. It allows you to pump oil into the compressor on the down stroke while the system is under pressure, making pumping easier with a positive stroke.

 Flow rate
50/75ml per stroke

 Maximum overcoming
back pressure
10/15bar

Technical Data

Model	R1	R2
Max. Pump To Against Pressure	10bar (145psi)	15bar (218psi)
Max. Pump Rate Per Stroke	50ml	75ml
Applicable Oil Bottle Size	All sizes	
Hose Connect	1/4" SAE	1/4" & 3/8" SAE
Outlet hose	1.5m Charging Hose	1.5m HP Charging Hose
Packing	Blister	Carton

Accessories

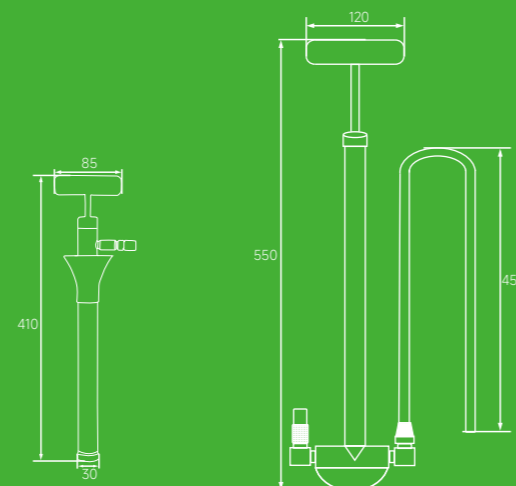


1.5m transparent
charging hose(R1)



1.5m high-pressure
charging hose(R2)

R1/R2 Manual Refrigeration Oil Charging Pump



R4 Electric Refrigeration Oil Charging Pump

Portable & Powerful



Strong power, easy charging under large system's back pressure.



Built-in boost valve which can make the instant pressurization.



High precision gear pump with self-priming, ensure easy charging.



Built-in thermal protection device, effectively prevent overloading.



Product Features

R4 is a portable refrigeration oil transfer pump which is ideal for charging compressor oil into large HVAC systems. With a 1/3 HP electric motor directly coupled to a fixed-displacement gear pump, oil can be pumped into your system even while in operation.



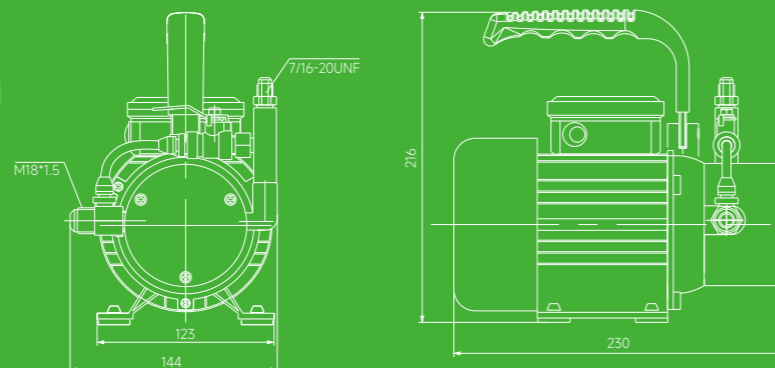
Max flow
150L/h

Built-in thermal-overload protector for effectively preventing overloaded and a ball-type check valve is installed inside of the pump to prevent oil or refrigerant from flowing back in case of a power failure or breakdown. Keep the system in safety situation.



Max overcoming back pressure
16Bar

R4 Electric Refrigeration Oil Charging Pump



Technical Data

Model	R4
Voltage	230V~/50-60Hz or 100-120V~/50-60Hz
Motor Power	1/3HP
Pump to Against Pressure(Max.)	16bar (232psi)
Flow Rate(Max.)	150L/h
Hose Connect	1/4" & 3/8" SAE

Accessories



0.8M suction hose(R4)



Adapter 1/4" & 3/8"SAE



1.5M charging hose



Toolbox



R6 Electric Refrigeration Oil Charging Pump

Strong Power, Easy Charging



Strong power, easy charging under large system's back pressure.



Overhead pressure gauge, easy to read the exact operation pressure.



High precision and high displacement gear pump, ensure easy charging.



Built-in thermal protection device, effectively prevent overloading.



Product Features

R6 is a heavy-duty refrigeration oil transfer pump which is ideal for charging compressor oil into large HVAC systems. With a 3/4 HP electric motor directly coupled to a high displacement gear pump, the different viscosity oil (even the high viscosity in low temperature) can be pumped into your system even while in operation.

Built-in thermal-overload protector for effectively preventing overloaded and a ball-type check valve is installed inside of the pump to prevent oil or refrigerant from flowing back in case of a power failure or breakdown. Keep the system in safety situation. In addition, an overhead pressure gauge installed to make the easy reading the exact operation pressure. So R6 is a ultimate solution for refrigeration oil charging.

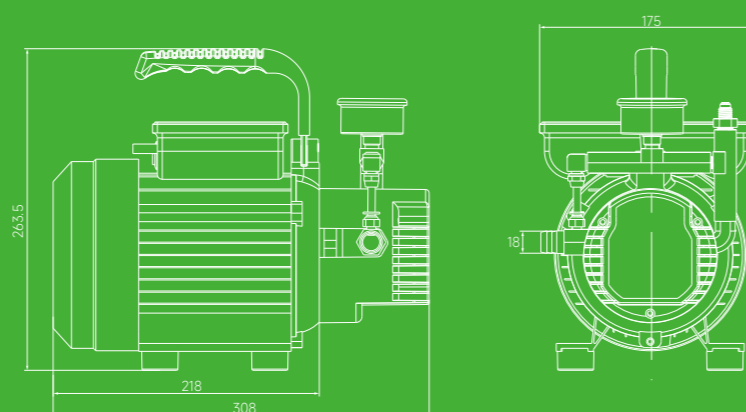


Max flow
350L/h



Max overcoming back pressure
25Bar

R6 Electric Refrigeration Oil Charging Pump



Technical Data

Model	R6
Voltage	230V~/50-60Hz or 100-120V~/50-60Hz
Motor Power	3/4HP
Pump to Against Pressure(Max.)	25bar (362psi)
Flow Rate(Max.)	350L/h
Hose Connect	1/4" & 3/8" SAE

Accessories



0.8M suction hose



1.5m charging hose



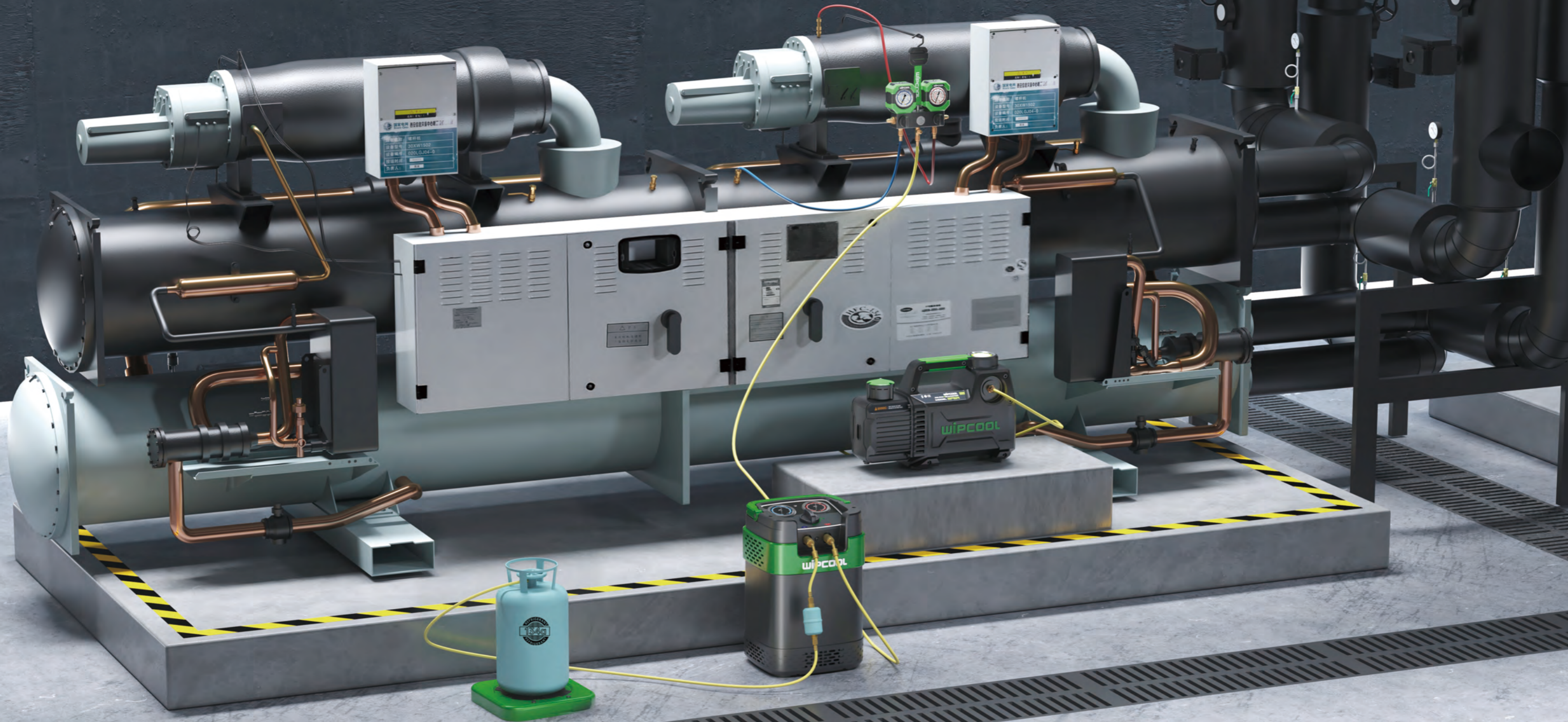
Adapter 1/4" & 3/8"SAE



Toolbox

HVAC/R Tools & Equipment

Due to years of deep technical accumulation of refrigeration tools & equipment and unceasing exploration of high technologies, and the initial intention of "helping HVAC service technicians to complete air-conditioning service work efficient, WIPCOOL has launched highly differentiation products. Our products covered recovery & vacuum machines, refrigeration tools, tubing tools, measuring & testing tools.



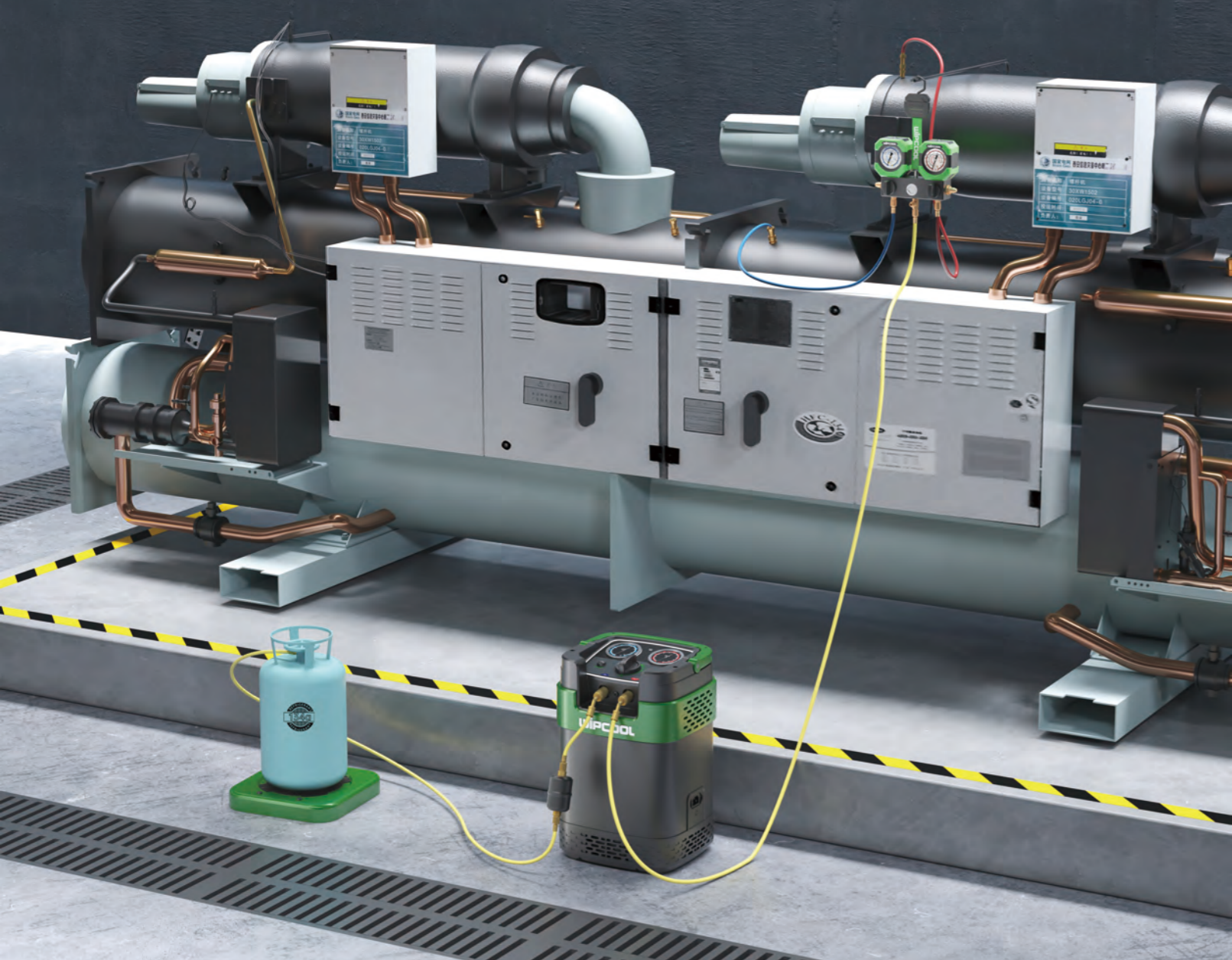
Recovery & Vacuum

Recovery and vacuum are two important methods in the maintenance process of HVAC systems.

HVAC vacuum pumps remove gases, vapors, and other impurities from the refrigeration system. Before refilling the refrigerant, it is necessary to maintain depth and complete vacuum to ensure that the air conditioning system is free of pollutants.

Refrigerant recovery machines recover refrigerant in the form of liquid or vapor from residential, commercial, and industrial air conditioning units and refrigeration systems.

In WIPCOOL, we have developed a full range of vacuum and recovery tools and equipment to surpass the best in the market. We have brought new innovations and features to our products to ensure that you have the tools and equipment you need every day, help you complete your work more easily, safer & more efficiently.



MRM55 Refrigerant Recovery Machine

Product Description

The MRM55 is a lightweight, efficient, and reliable refrigerant recovery machine with a compact, sturdy casing. It provides an ideal solution for making refrigerant recovery fast and simple.

Different from most brands of refrigerant recovery machines, it adopts an integrated vertical structure design, with an overhead pressure gauge and operating key design. In addition, there has a service port at the back of the machine, so it will be very convenient to replace the piston ring and air valve core. Bringing a more user-friendly user experience. At the same time, this recovery machine can cover A2L grade refrigerants and backward compatible with these older refrigerants (such as R12, R22, and R410A).

MRM55 Refrigerant Recovery Machine

Lightweight, Efficient & Reliable



Product Features



Vertical structure design based on ergonomic experience



Overhead pressure gauge for easy reading the exact data



A easy access port at the back of machine for fast maintenance

Model	MRM55		
Refrigerant	III: R12, R134A, R401C, R406A, R500, R1234yf	Automatic Safety Shut-off	
	IV: R22, R401A, R401B, R402B, R407C, R407D, R408A, R409A, R411A, R411B, R412A, R502, R509	38.5bar/3850kpa(558psi)	
Voltage	V: R402A, R404A, R407A, R407B, R410A, R507, R32	Recovery Rate	
	110V~/60Hz	230V~/50-60Hz	Vapor 0.22 kg/min 0.25 kg/min 0.25 kg/min
Motor Power	3/4HP	Liquid 1.8 kg/min 2.0 kg/min 2.2 kg/min	
Motor Speed	2800RPM	Push/Pull 5.0 kg/min 6.0 kg/min 6.5 kg/min	
Current(Max.)	8A	4A	Operating Temperature
Compressor	Oil-less, Air-cooled, Piston-style		0°C-40°C
			Dimensions
		259mm(L)*235mm(W)*390mm(H)	
		Weight	
		9.5 kg	

Accessories



1.8m power cord



Filter



Shoulder Strap



Hose

S Series Vacuum pump

Compact & Portable



Product Features



Anti-dumping oil leakage



Anti-oil injection design



High-precision rotary vane pump



DC motor technology

S Series Vacuum pump

Product Description

The S Series of vacuum pumps are a great range when price is a major consideration. Available in a wide range of capacities. And flow rate cover from 2-4CFM(57-113LPM),so they are ideal for split systems, light duties in automotive and small commercial applications.

Features a full clear oil reservoir to give you an instant indicator of the condition of your oil and system. And the reservoir applied customized special engineering plastic ABS for durable usage, troubleshoot problems quickly and easy to repair or replace the parts.

Model	S1	S1.5	S2
Voltage	230V~/50-60Hz or 100-120V~/50-60Hz		
Ultimate Vacuum	150 microns		
Input Power	1/4HP	1/4HP	1/3HP
Flow Rate (Max.)	2CFM 57L/min	3CFM 85 L/min	4CFM 113 L/min
Oil Capacity	230ml	210ml	200ml
Weight	3.3kg	3.4kg	3.6kg
Dimension	266x121x194		
Inlet Port	1/4" SAE		



F Series R410A Vacuum Pump

Vacuumping Quickly



Product Features



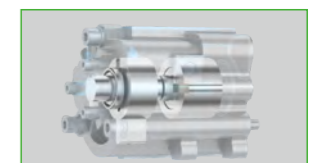
Anti-dumping oil leakage



Overhead vacuum gauge



Built-in solenoid valve



High-precision rotary vane pump

F Series R410A Vacuum Pump

Product Description

Refrigerant R410 is a new type of environmentally friendly refrigerant, which does not destroy the ozone layer. So it is widely used in domestic and commercial air conditioner. Since the R410A is different from other refrigerants used before, like R12, R22 ect, it is easily affected by impurities such as moisture, oxide layer, grease, etc. Therefore, full attention should be paid during construction and operation, and clean hose should be used to prevent the mixing of water and other substances. Deep vacuum should be done to prevent the air in the system will react with the refrigerating oil and affect the properties of the refrigerating oil. In addition, a solenoid valve should be used to prevent vacuum pump back flow into system.

The F series of vacuum pump are a better choice when good using experience is a major consideration. It equipped with built-in solenoid valve and overhead vacuum meter as standard. Since oil leakage is a matter if the pump was side down during your working or driving. So our pump's biggest feature is to avoid this risk of oil leakage. And the overhead vacuum meter design also bring you a new using experience to avoid you lean down to read the exact vacuum data. In addition, reinforced aluminum alloy oil tank, effective heat dissipation, resistance to chemical corrosion. Oil color and level are easy to see with the oversized sight glass. The powerful and lightweight DC motor delivery a great starting moment is easy for starting and high efficiency, which can keep it working perfectly even is lower ambient temperature.

Model	F1	F1.5	2F0	2F1
Voltage	230V~/50-60Hz or 100-120V~/50-60Hz			
Ultimate Vacuum	150 microns		15 microns	
Input Power	1/4HP	1/4HP	1/4HP	1/4HP
Flow Rate (Max.)	1.5CFM 42 L/min	3CFM 85 L/min	1.5CFM 42 L/min	2.5CFM 71 L/min
Oil Capacity	200ml	330ml	280ml	280ml
Weight	4.0kg	4.5kg	4.7kg	4.7kg
Dimension	289x113x198		309x113x198	
Inlet Port	1/4"SAE		1/4"SAE	



F Series R32 Vacuum Pump

Light Weight, Fast Vacuuming



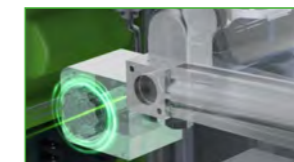
Product Features



Anti-dumping oil leakage



Overhead vacuum gauge



Built-in solenoid valve



DC brush-less motor

F Series R32 Vacuum Pump

Product Description

R-32 is a next generation refrigerant that efficiently carries heat and has lower environmental impact. It can reduce electricity consumption up to approximately 10% compared to that of air conditioners using refrigerant R-22. Furthermore, compared to the refrigerants widely used today such as R-22 and R-410A, R-32 has a global warming potential (GWP) that is 1/3 lower and is remarkable for its low environmental impact. So all large manufacturers are promoting it as the new refrigerant in the market.

Due to the flammability and high operating pressures of R32, existing equipment (e.g. manifolds, gauges, vacuum pumps, recovery units) must be checked for compatibility. Any potential sources of ignition from electrical equipment must be eliminated.

F series of R32 vacuum pump is special design for this new generation refrigerant, it can be used with (A2L or A2) flammable refrigerants and backward compatible with old refrigerant (such as R12, R22 and R410A etc). Equipped with built-in solenoid valve and overhead vacuum meter as standard. In addition, reinforced aluminum alloy oil tank, effective heat dissipation, resistance to chemical corrosion. Oil color and level are easy to see with the oversized sight glass. The powerful and lightweight brush-less DC motor delivery a great starting moment is easy for starting and high efficiency with long service life, which can keep it working perfectly even in lower ambient temperature.

Model	2FOR	2F1R	2F1.5R	F2R	2F2R	F3R	2F3R	F4R	2F4R	F5R	2F5R
Voltage	230V~/50-60Hz or 100-120V~/50-60Hz										
Ultimate Vacuum	15microns		150microns		15microns	150microns	15microns	150microns	15microns	150microns	15microns
Input Power	1/4HP	1/4HP	1/3HP	1/3HP	1/2HP	1/2HP	3/4HP	3/4HP	1HP	1HP	1HP
Flow Rate (Max.)	1.5CFM 42 L/min	2.5CFM 71 L/min	3CFM 85 L/min	5CFM 142L/min	5CFM 142L/min	7CFM 198 L/min	7CFM 198 L/min	9CFM 255L/min	9CFM 255L/min	11CFM 312L/min	11CFM 312L/min
Oil Capacity	280ml	280ml	480ml	580ml	450ml	560ml	520ml	690ml	500ml	670ml	480ml
Weight	4.2kg	4.2kg	6.2kg	5.5kg	6.5kg	5.7kg	9.8kg	8.5kg	10.0kg	8.7kg	10.2kg
Dimension	309x113x198			339x130x225				365x147x242			
Inlet Port	1/4"SAE			1/4" & 3/8 SAE				1/4" & 3/8"SAE			



F Series Cordless Vacuum Pump

Product Description

F series of Cordless Vacuum Pump eliminates the hassle of cords and provides instant power for fast evacuations. Powered by 18V Li-ion battery, they can deliver the runtime to complete multiple jobs on one charge. Enabling up to 45-60 minutes of runtime per charge(4.0Ah). There are 3 flow rates(1.5/2.5/5 CFM) and compatible with the new generation refrigerant(A2L) for your choice. Equipped with built-in solenoid valve and overhead vacuum meter as standard.

In addition, reinforced aluminum alloy oil tank, effective heat dissipation, resistance to chemical corrosion. Oil color and level are easy to see with the oversized sight glass. Further more, in order to maximize the utilization of existing Li-ion batteries in users' hands and reduce their purchasing costs, we have specially developed 6 mainstream brand battery adapters (Bosch, Makita, Panasonic, Dewalt, Worx, and Devon), which can easily be compatible with the use of the above brand batteries.

F Series Cordless Vacuum Pump



Li-ion Battery Power, Portable Evacuation



BC-18P, See P102
Applied on
F2BR, 2F2BR
Available separately



BC-18, See P102
Applied on
F1B, 2F0B/2F0BR, 2F1B/2F1BR
Available separately



Milwaukee DeWalt Worx Bosch Makita Panasonic
Battery Adapter, See P102
Available separately

Product Features



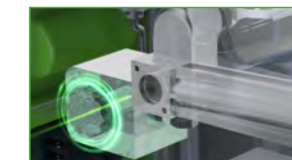
Li-ion battery powered



Anti-dumping oil leakage



Overhead vacuum gauge



Built-in solenoid valve

Model	F1B	2F0B	2F0BR	2F1B	2F1BR	F2BR	2F2BR
Voltage	DC18V(AEG/ RIDGID interface)						
Ultimate Vacuum	150microns	15microns	15microns	15microns	15microns	150microns	15microns
Input Power	1/4HP	1/4HP	1/4HP	1/4HP	1/4HP	1/3HP	1/2HP
Flow Rate (Max.)	1.5CFM 42 L/min	1.5CFM 42 L/min	1.5CFM 42 L/min	2.5CFM 71 L/min	2.5CFM 71 L/min	5CFM 142 L/min	5CFM 142 L/min
Oil Capacity	200ml	280ml	280ml	280ml	280ml	580ml	450ml
Weight	4.0kg	4.5kg	4.0kg	4.5kg	4.0kg	5.5kg	6.5kg
Dimension	289x113x198		309x113x198			339x130x225	
Reference running time	45mins(4.0AhLi-ion battery)					40mins(4.0AhLi-ion battery)	
Reference charging time	210mins(4.0AhLi-ion battery)					210mins(4.0AhLi-ion battery)	
Remarks	Due to the strict transportation terms, we can not include any Li-ion battery, you can choose our battery adapters for use your local batteries.						

F Series Dual Powered Vacuum Pump (Li-ion & AC powered)

Dual Powered, Freely Switch



Never suffer from low battery anxiety



Freely switch between AC power and battery power



Avoiding any downtime on the jobsite



Product Description

The F series of dual power vacuum pump is based on cordless vacuum pump and can be freely switched between 18V Li-ion batteries and 220V AC power. It can enable up to 45-60 minutes of operation time when using a 18V/4.0Ah capacity Li-ion battery, solving the problem of finding AC power supply for outdoor enaction. If AC power is relatively easy to obtain, it can provide long-term operation to avoid the anxiety of Li-ion battery depletion in a short time.

There has 3 flow rate(1.5/2.5/5 CFM) and compatible with the new generation refrigerant(A2L) for your choice. Equiped with built-in solenoid valve and overhead vacuum meter as standard. In addition, reinforced aluminum alloy oil tank, effective heat dissipation, resistance to chemical corrosion. Oil color and level are easy to see with the oversized sight glass. Further more, in order to maximize the utilization of existing Li-ion batteries in users' hands and reduce their purchasing costs, we have specially developed 6 mainstream brand battery adapters (Bosch, Makita, Panasonic, Dewalt, Worx, and Devon), which can easily be compatible with the use of the above brand batteries.

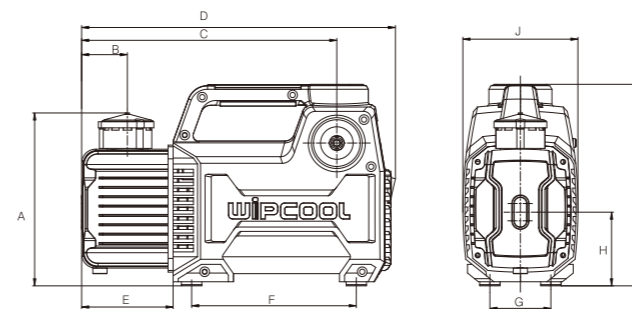
Model	F1BK	2F1BRK	F2BRK	2F2BRK
Voltage		18V(AEG/RIDGID) interface 230V~/50-60Hz or 100-120V~/50-60Hz		
Flow Rate(Max.)	1.5CFM 42 L/min	2.5CFM 71 L/min	5CFM 142 L/min	5CFM 142 L/min
Ultimate Vacuum	150microns	15microns	150microns	15microns
Include:	Tool box, Vacuum pump, Battery Adapter(2 free from the 6 adapters), Battery converter			
Reference running time	45mins(4.0AhLi-ion battery)		40mins(4.0AhLi-ion battery)	
Reference charging time	210mins(4.0AhLi-ion battery)		210mins(4.0AhLi-ion battery)	
Remarks	Due to the strict transportation terms, we can not include any Li-ion battery, you can choose our battery adapters for use your local batteries.			

AC Power Supply Plugs

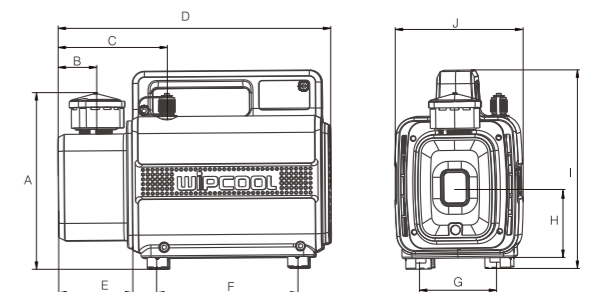


Model	Description
W01	Israel plug
W02	China plug
W03	Australia plug
W04	South africa plug
W05	Europe plug
W06	America plug
W07	Britain plug
W08	Japan plug
W09	Italy plug
W10	Argentina plug
W11	Brazil plug
W12	South Korea Plug

F series



S series



Size Table

Model	A	B	C	D	E	F	G	H	I	J
S1 S1.5 S2	145	36	107	266	73	138	70	69	194	121
F1.5 2F0(R) 2F1(R)	175	45	250	309	90	162	60	73	200	115
F2R F3R 2F1.5R 2F2R	195	45	280	339	110	165	70	87	225	130
F4R F5R 2F3R 2F4R 2F5R	211	50	300	365	115	190	70	97	242	147

WPO-1 Vacuum Pump Oil

Perfect Maintenance



Model	WPO-1
Kinematic Viscosity(40°C)	41.4-50.6mm ² /s
Viscosity Index	100
Flash Point	225°C
Pour Point	-10°C
Oil Type	Mineral Oil

TB-1 TB-2 Tool box

Professional & Heavy duty



Model	TB-1	TB-2
Material	PP	PP
Interior dimensions	L400×W200×H198mm	L460×W250×H230mm
Thickness	3.5mm	3.5mm
Weight(empty)	2.31 kg	3.09 kg
Waterproof	Yes	Yes
Dustproof	Yes	Yes

BC-18 BC-18P Corded Battery Converter

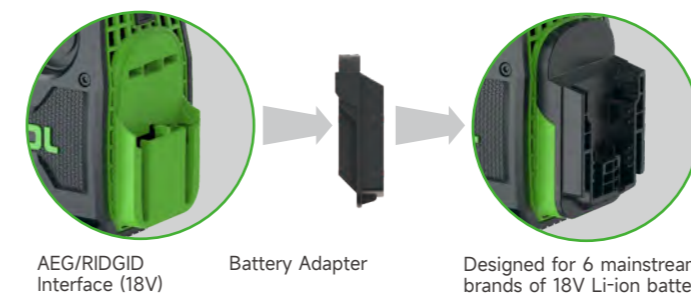
Corded Power, Unlimited Running



Mode	BC-18	BC-18P
Input	100-240V~/50-60Hz	220-240V~/50-60Hz
Output	18V	18V
Power(Max)	150W	200W
Cord Length	1.5m	1.5m

BA-1~BA-6 Battery Adapter

Multiple choice, Convenient Usage

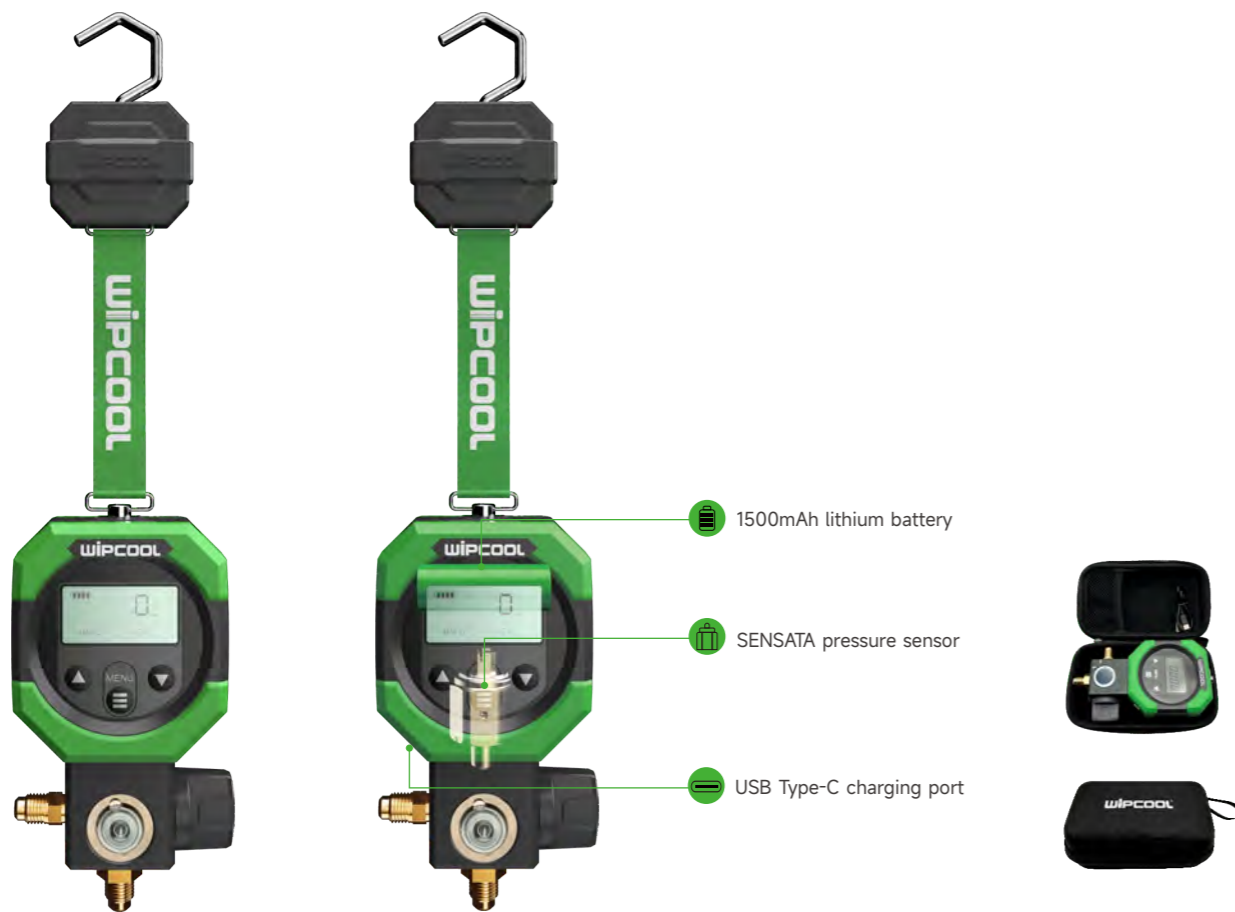


Model	BA-1	BA-2	BA-3	BA-4	BA-5	BA-6
Suitable	Bosch	Makita	Panasonic	Milwaukee	Dewalt	Worx
Size(mm)	120×76×32	107×76×28	129×79×32	124×79×34	124×79×31	120×76×32

MDG-1

Single Digital Manifold gauge

High pressure resistance
Reliability & Durable

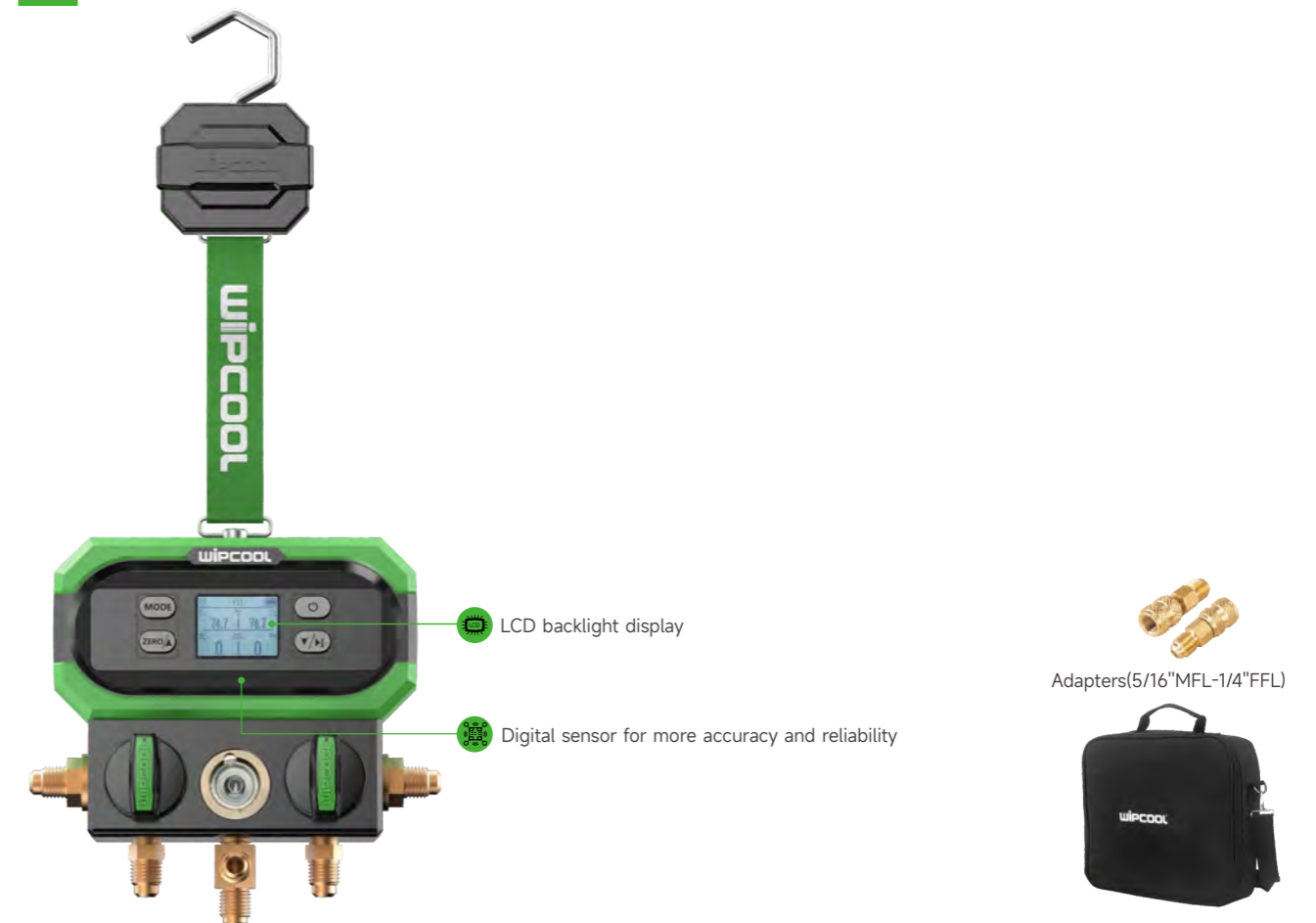


Model	MDG-1
Refrigerant Type	R22, R32, R134a, R290, R404A, R407A, R407C, R410A, R427A, R434A, R442A, R600a, R1234yf, R448A, R450A, R454B
Battery	Built-in Li-ion Battery(3.7V/1500mAh)
Pressure Range	0-800 psi (55 bar)
Interface	1/4" SAE
Vacuum Range	-29.5-0 inHg
Accessories	Type-C charging cable
Packing	Tool bag

MDG-2K

Digital Manifold Gauge Kits

Anti-drop Design, Accurate Detection



Model	MDG-2K
Refrigerant Type	R11, R12, R13, R22, R290, R32, R134a, R410A, R600a, R1234yf, R401A, R401B, R402A, R402B, R404A, R406A, R407A, R407C, R408A, R409A, R414B, R416A, R417A, R420A, R421A, R421B, R422A, R422B, R422D, R424A, R427A, R434A, R437A, R442A, R448A, R449A, R450A, R454B, R458A, R500, R502, R503, R507, R1234ZE, R744
Battery	2 X 1.5V, AAA batteries, Battery life: 200H (display with screen backlight off)
Interface	3 X 1/4" SAE
Pressure Range	-14-800 psi (55 bar)
Units	Pressure: psi, kg/cm ² , kPa, Mpa, bar, inHg Temperature: °C, °F
Accessories	Set of 3 RYB refrigeration hoses, 2 X Adapters(5/16"-1/4")
Packing	Tool bag

MG-1 Single Manifold Gauge

(Suit for R22,R410A,R32)

Led Lighting, Shockproof



Model	MG-1L	MG-1H
Battery	Built-in Li-ion battery(3.7V 120mAh)	Built-in Li-ion battery(3.7V 120mAh)
Gauge Scale	R22 R410A R32	R22 R410A R32
Interface	2 X 1/4" SAE	2 X 1/4" SAE
Diameter	Ø50	Ø50
Pressure	-30inHg-500psi	-30inHg-800psi
Accessories	-	-
Packing	Blister	Blister

MG-2K Manifold Gauge Kits

(Suit for R22,R410A,R32)

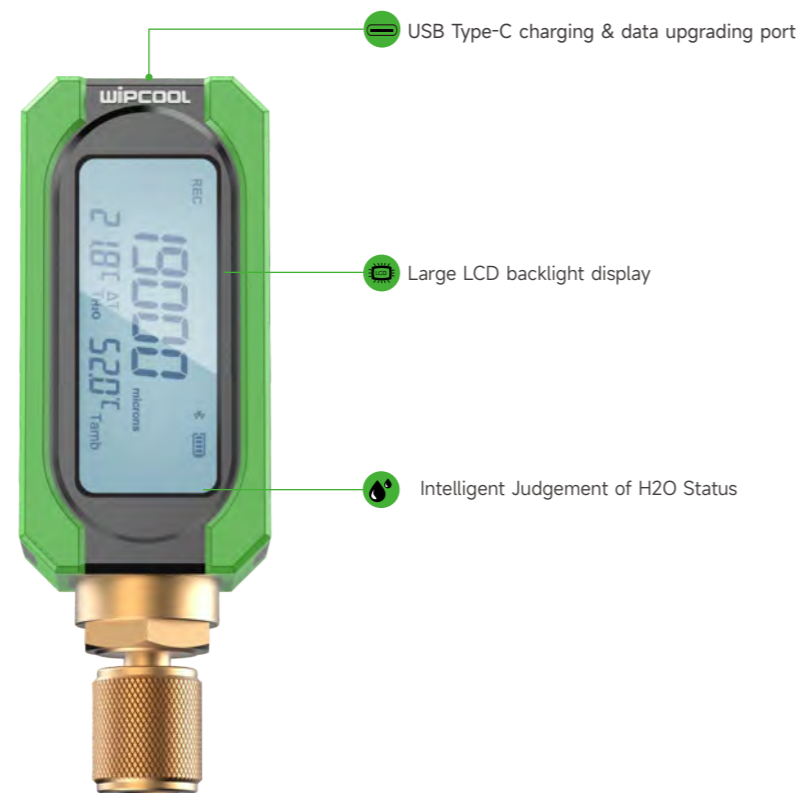
Led Lighting, Shockproof



Model	MG-2K
Battery	Built-in Li-ion battery (3.7V/120mAh)
Gauge Scale	R22 R410A R32
Interface	3 X 1/4" SAE
Diameter	Ø50
Pressure	-30inHg-500psi / -30inHg-800psi
Accessories	Set of 3 RYB refrigeration hoses, 2 X Adapters(5/16"-1/4")
Packing	Tool bag

MVG-1 Digital Vacuum Gauge

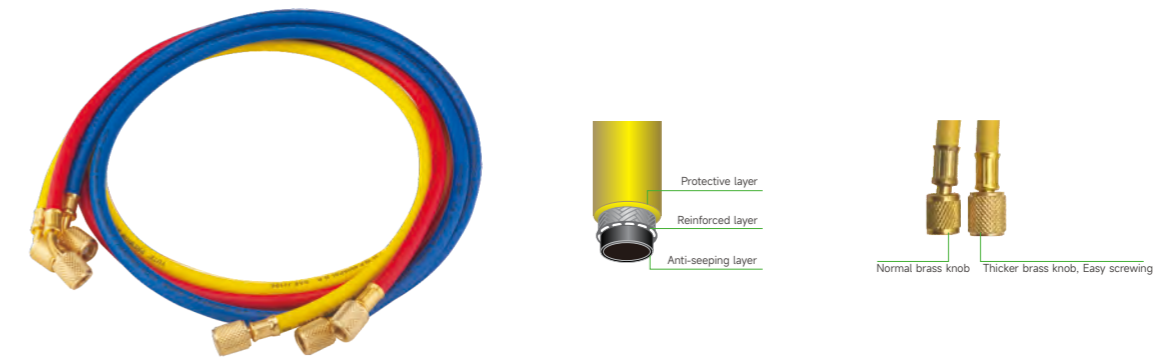
Large Display, High Accuracy



Model	MVG-1
Measuring Range	0-19000 microns
Operating Temperature	-4°F-140°F(-20°C-60°C)
Interface	1/4" SAE
Accuracy	1-10,000 microns: ±10% of readings ±10 microns 10,000-19,000 microns: ±20% of readings
Resolution	1-400microns 1 micron 400-3000microns 10 microns 3000-10000microns 100 microns 10000-19000microns 250 microns
Vacuum Units	microns, mTorr, in/hg, Pa, Torr, KPa, mbar and psia
Battery	Rechargeable lithium battery (1,000mAh)
Overload	27.5 bar

MRH-1 Refrigerant Charging Hose

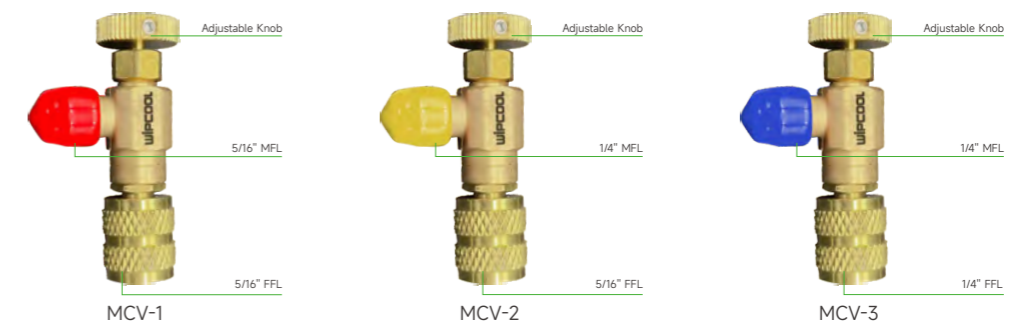
High Strength
Corrosion Resistance



Model	Color	Length	Working Pressure(Max.)	Burst Pressure(Max.)	Fittings
MRH-1	Set of 3	150cm	55bar(800psi)	275bar(4000psi)	1/4"-1/4"(Y) 1/4"-5/16"(R) 1/4"-5/16"(B)

MCV-1/2/3 Safety Control Valve

High pressure & Corrosion-resistant
Safety Operation



Model	MCV-1	MCV-2	MCV-3
Fittings	5/16" FFL x 5/16" MFL	5/16" FFL x 1/4" MFL	1/4" FFL x 1/4" MFL

Tubing Tools

Heavy-duty Series

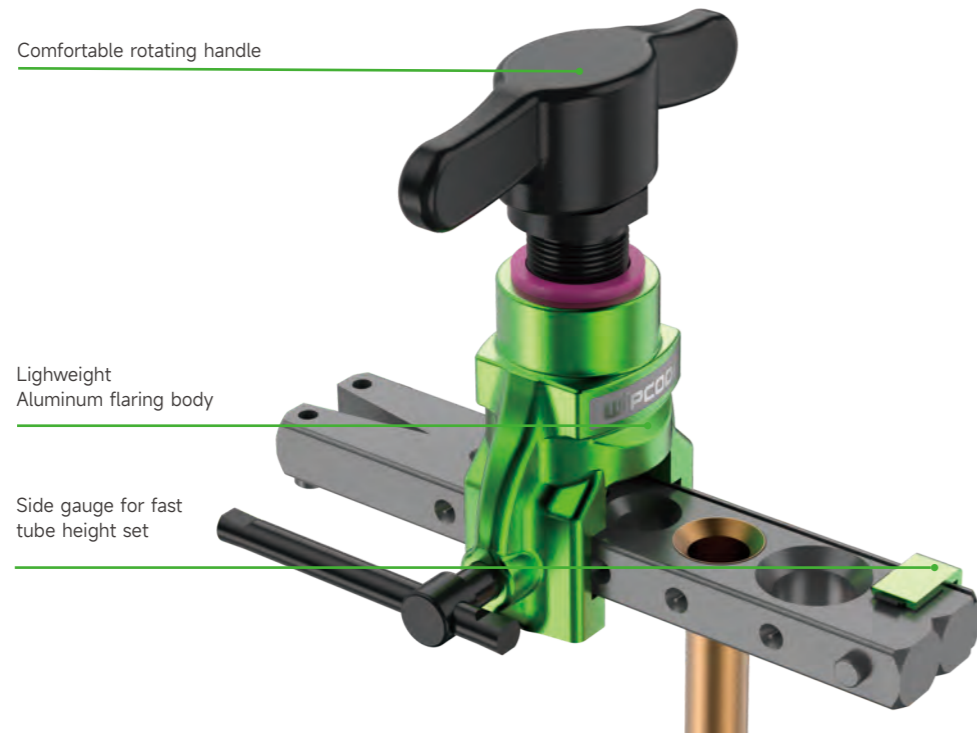
Copper tubing tools is a special kind of tool for the installation and maintenance of refrigeration system. So it must be reliable and durable, and the processed products must be accurate to avoid repeated invalid operations.

In WIPCOOL, We carry multiple arrays of tubing tools, including lightweight 2 in 1 flaring tool, tube cutters with standard spare blade inside, tube bender & full size tube expander, titanium coated tube deburring tool, high strength pinch off locking plier and recovery puncture pliers. Will be great help for any air conditioning and refrigeration installation and repair job.



EF-2 R410A Manual Flaring Tool

Lightweight
Precise Flaring



1 The expansion strip is inserted into the expansion body



2 The copper pipe enters the hole, and the limit plate is on the copper pipe



3 Slide the expanding body to the corresponding hole

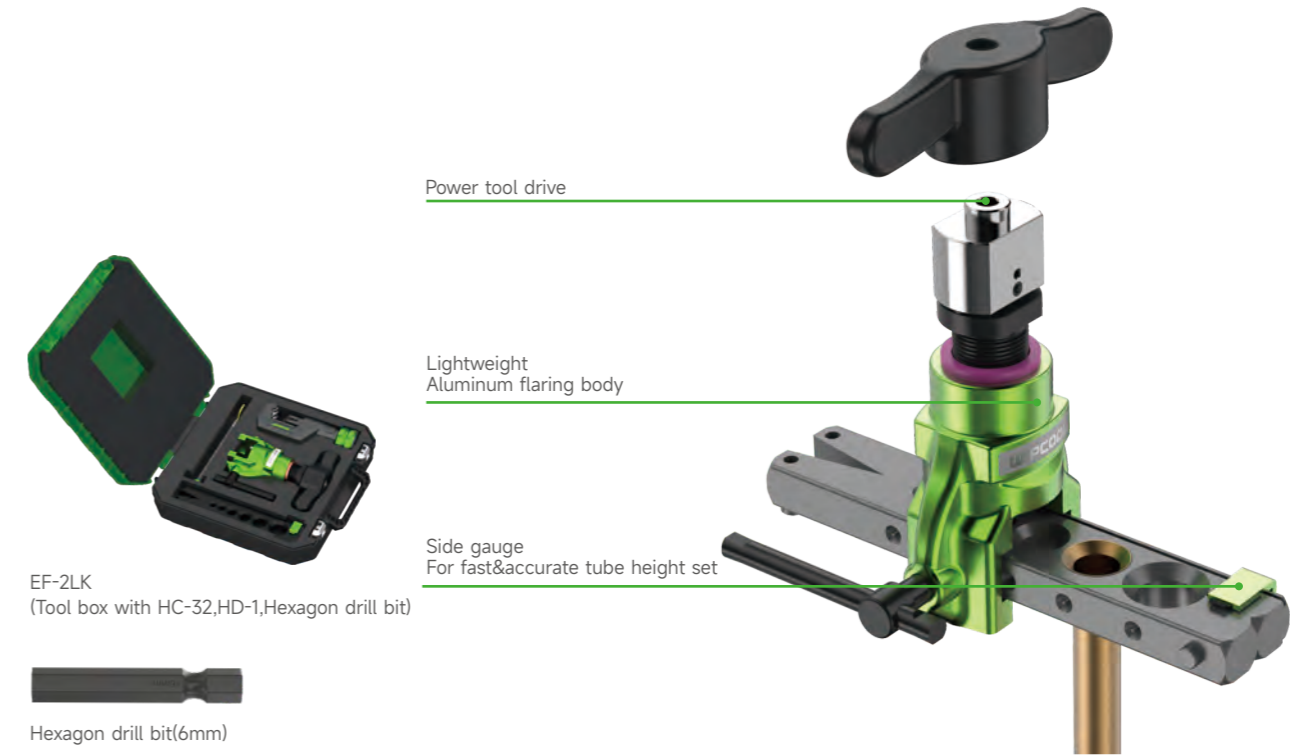


4 Complete expanding 45° copper pipe

Model	O.D Tube						Accessories	Packing
EF-2	1/4"	5/16"	3/8"	1/2"	5/8"	3/4"	/	Blister

EF-2L R410A 2-in-1 Flaring Tool

Manual and Power Drive
Fast&Precise Flaring



EF-2LK
(Tool box with HC-32,HD-1,Hexagon drill bit)



Hexagon drill bit(6mm)



1 The expansion strip is inserted into the expansion body



2 The copper pipe enters the hole, and the limit plate is on the copper pipe



3 Slide the expanding body to the corresponding hole



4 Or use cordless drill for fast flaring



5 Finalize of expanding 45° copper pipe

Model	O.D Tube						Accessories	Packing
EF-2L	1/4"	5/16"	3/8"	1/2"	5/8"	3/4"	/	Blister
EF-2LK							HC-32,HD-1, Hexagon drill bit(6mm)	Toolbox

HC-19/32/54 Tube Cutter

Spring Mechanism
Fast & Safe Cutting



Spring Mechanism
(HC-32/54)



Stable grooved rollers
tracking system



An additional blade
stored in the knob

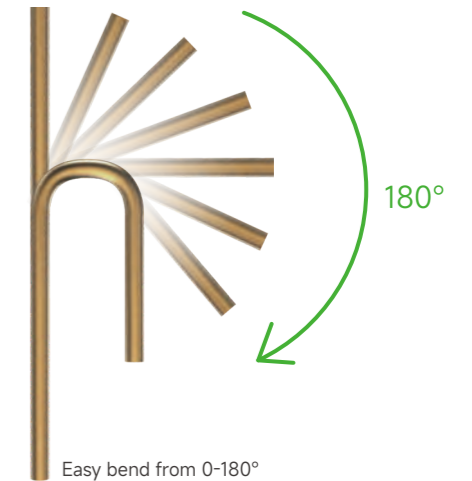


Sharp, wear-resistant
steel blades

Model	HC-19	HC-32	HC-54
Tubing O.D.	1/8"-3/4"	3/16" ~1-1/4"	1/4" ~2-1/8"
	3-19mm	4-32mm	6-54mm

HB-3/HB-3M 3-in-1 Lever Tube Bender

Light & Portable



Model	HB-3	HB-3M
Tubing O.D.	1/4", 5/16", 3/8"	6, 8, 10mm

HE-7/HE-11 Lever Tube Expander Kit

Lightweight & Durable.



HE-7



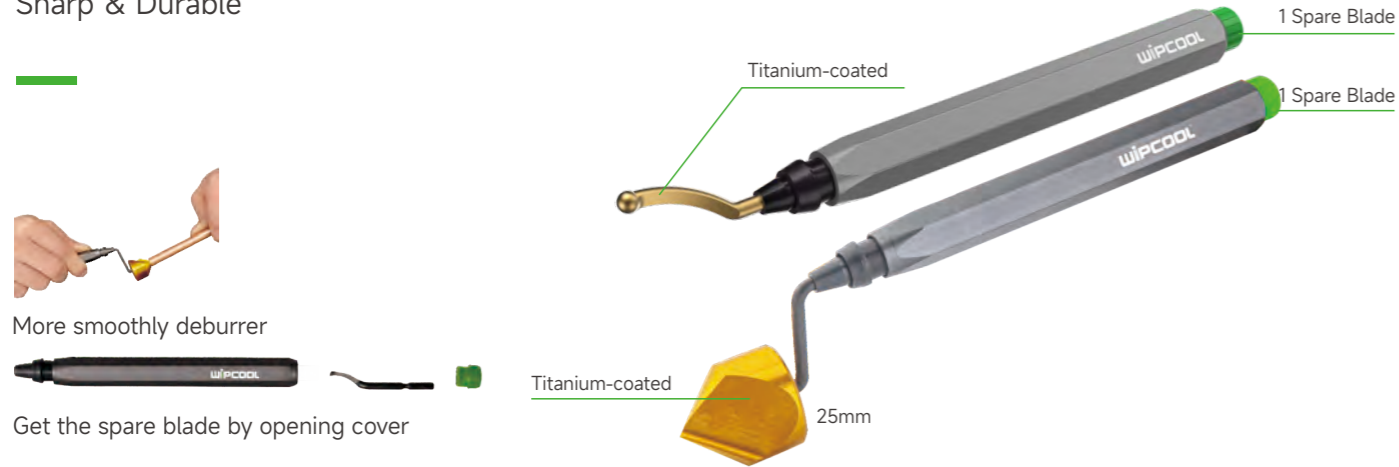
HE-11



Model	O.D Tube	Accessories	Packing
HE-7	3/8", 1/2", 5/8", 3/4", 7/8", 1", 1-1/8"	HC-32, HD-1	Toolbox
HE-11	3/8", 1/2", 5/8", 3/4", 7/8", 1", 1-1/8" 1-1/4", 1-3/8", 1-1/2", 1-5/8"	HC-54, HD-1	

HD-1 HD-2 Tube Deburrer

Titanium-coated
Sharp & Durable



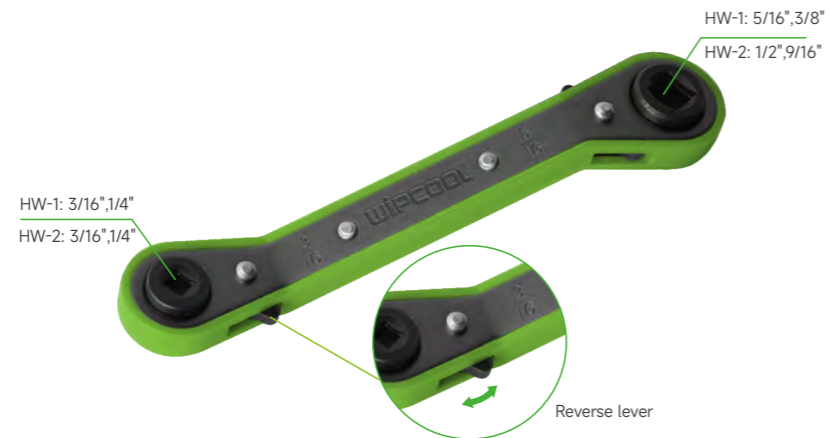
More smoothly deburrer

Get the spare blade by opening cover

Model	HD-1	HD-2
Configuration	2 Normal Blades	1 Countersink Blade +1 Normal Blade
Packing	Blister	Blister

HW-1 HW-2 Ratchet Wrench

Flexible, Easy Using



Model	HW-1	HW-2
Size	1/4", 3/8" & 3/16", 5/16"	1/4", 3/16" & 9/16", 1/2"

HL-1 Pinch Off Locking Plier

Strong Bite
Perfect Sealing



Model	Length	Width	Suitable Size	Weight
HL-1	193mm	58mm	1/8"-3/8"(3-10mm)	0.4kg

HP-1 Tube Piercing Plier

Sharp & Durable



Model	Length	Width	Suitable Size	Weight
HP-1	200mm	58mm	4-8mm	0.4kg

HVAC/R Testing & Measuring Equipment

Advanced Series

Testing, adjusting and balancing (TAB) are the three major steps used to achieve proper operation of heating, ventilation, air conditioning (HVAC) and refrigeration (HVACR) systems.

Professional and Reliable HVAC/R testing and measuring equipments that allows for effortless and precise measurement needed for comprehensive and professional evaluation and correct regulation of a refrigeration or air conditioning system.

In WIPCOOL .We carry multiple arrays of electrical testing equipment, including digital anemometer, digital clamp meter, infrared thermodetector, digital multimeter and more for any air conditioning and refrigeration installation and repair job.



ALD-1 Infrared Refrigerant Leak Detector



Model	ALD-1
Sensor Type:	Infrared sensor
Minimum Detectable Leakage:	≤4 g/year
Response Time:	≤1 seconds
Preheating Time:	30 seconds
Alarm Mode:	Audible and visual alarm; TFT indication
Operating Temperature Range:	-10-52°C
Operating Humidity Range:	<90%RH(non-condensing)
Applicable Refrigerant:	CFCs, HFCs, HCFC Blends and HFO-1234YF
Sensor Lifetime:	≤10 years
Dimensions:	201x72x 35mm (7.9"x 2.8"x 1.4")
Weight:	450g
Battery:	2x 18650 rechargeable lithium battery, full charge for 8 hours continuous work

ALD-2 Heated Diode Refrigerant Leak Detector



Model	ALD-2
Sensor Type:	Heated diode gas sensor
Minimum Detectable Leakage:	≤3 g/year
Reaction Time:	≤3 seconds
Warm-up Time:	30 seconds
Reset Time:	≤10 seconds
Operating Temperature Range:	0-50°C
Operating Humidity Range:	<80%RH(non-condensing)
Applicable Refrigerant:	CFCs, HCFCs, HFCs, HCs and HFOs
Sensor Lifetime:	≥1 year
Reset:	Automatic / Manual
Probe Length:	420mm(16.5in)
Battery:	3 X AA alkaline battery, 7 hours continuous working

ASM130 Sound Level Meter



LCD backlight

Fast & slow response

Portable

High precision sound sensor

Model	ASM130
Noise (A weighted)	30-130dB
Accuracy	±1.5dB
Resolution	0.1dB
Sampling rate	Fast: 125ms; Slow: 1000ms
Frequency range	31.5Hz-8kHz
Battery	1.5V battery (R03) x 3

AWD12 Wall Detector



Model	AWD12
Ferrous metal	120mm
Non-ferrous metal (copper)	100mm
Alternating current (ac)	50mm
Copper wire (≥4 mm 2)	40mm
Foreign body (Generally refers to the wooden block)	exact mode 20mm, deep mode 38mm 0-85%RH in metal mode, 0-60%RH in foreign body mode
Working humidity range	-10°C ~ 50°C
Operating temperature range	-20°C ~ 70°C
Battery:	1X9 volt dry battery
The usage time	about 6 hours
Body size	147*68*27mm

ADA30 Digital Anemometer



- LCD backlight
- Portable
- High precision temperature sensor

- Fast response
- High precision wind speed sensor

Model	ADA30	
Function	Range	Accuracy
Wind Speed Measurement	0-30m/s (Standard)	±(5%rdg+0.5)
	1.4-108Km/h (Reference)	±(5%rdg+15dgts)
	0.7-58Knots (Reference)	±(5%rdg+10dgts)
	0.8-67mph (Reference)	±(5%rdg+10dgts)
Temperature Measurement	78-5905ft/min (Reference)	±(5%rdg+180dgts)
	-10°C-50°C	±2°C

ADC400 Digital Clamp Meter



- Fast capacitance measurement
- True RMS measurement
- Large LCD display
- Overcurrent indication

- Audio visual alarm for NCV function
- AC voltage frequency measurement
- Full-featured false detection protection

Model	ADC400
AC current (A)	400A
AC current frequency (Hz)	50Hz-100Hz
DC voltage (V)	600V
AC voltage (V)	600V
AC voltage frequency (Hz)	10Hz-10KHz
Resistance (Q)	40MΩ
Capacitance(F)	4mF
Temperature measurement (C/°F)	-40-1000°C/-40-1832°F

AIT500 Infrared Thermodetector



- HVAC equipment temperature
- Food surface temperature
- Drying oven temperature

Model	AIT500
Measurement range	-50°C-500°C (-58°F-932°F)
Accuracy	-50°C-0°C:(2°C+0.1°C/c)0°C-500°C:±2°C or ±2%(whichever is greater)
Distance to spot ratio (D:S)	12: 1
Response time	≤250ms(95% of reading)
Emissivity	0.1-1.0(adjustable,0.95 by default)
Operating temperature	0°C-50°C (32°F-122°F)

ADM750 Digital Multimeter



- 2m drop test
- LCD backlight
- NCV detection
- Data hold
- hFE measurement
- Temperature measurement

Model	ADM750
DC (V)	1000V
AC (V)	750V
DC(A)	10A
AC(A)	10A
Resistance (Q)	40MΩ
Capacitance (F)	10mF